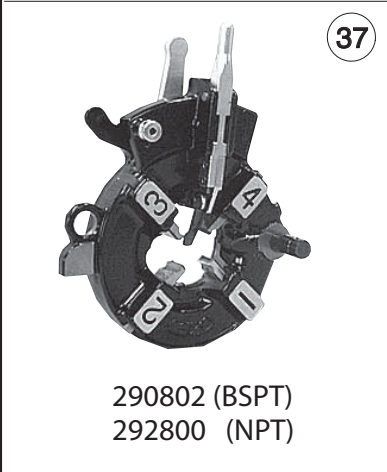
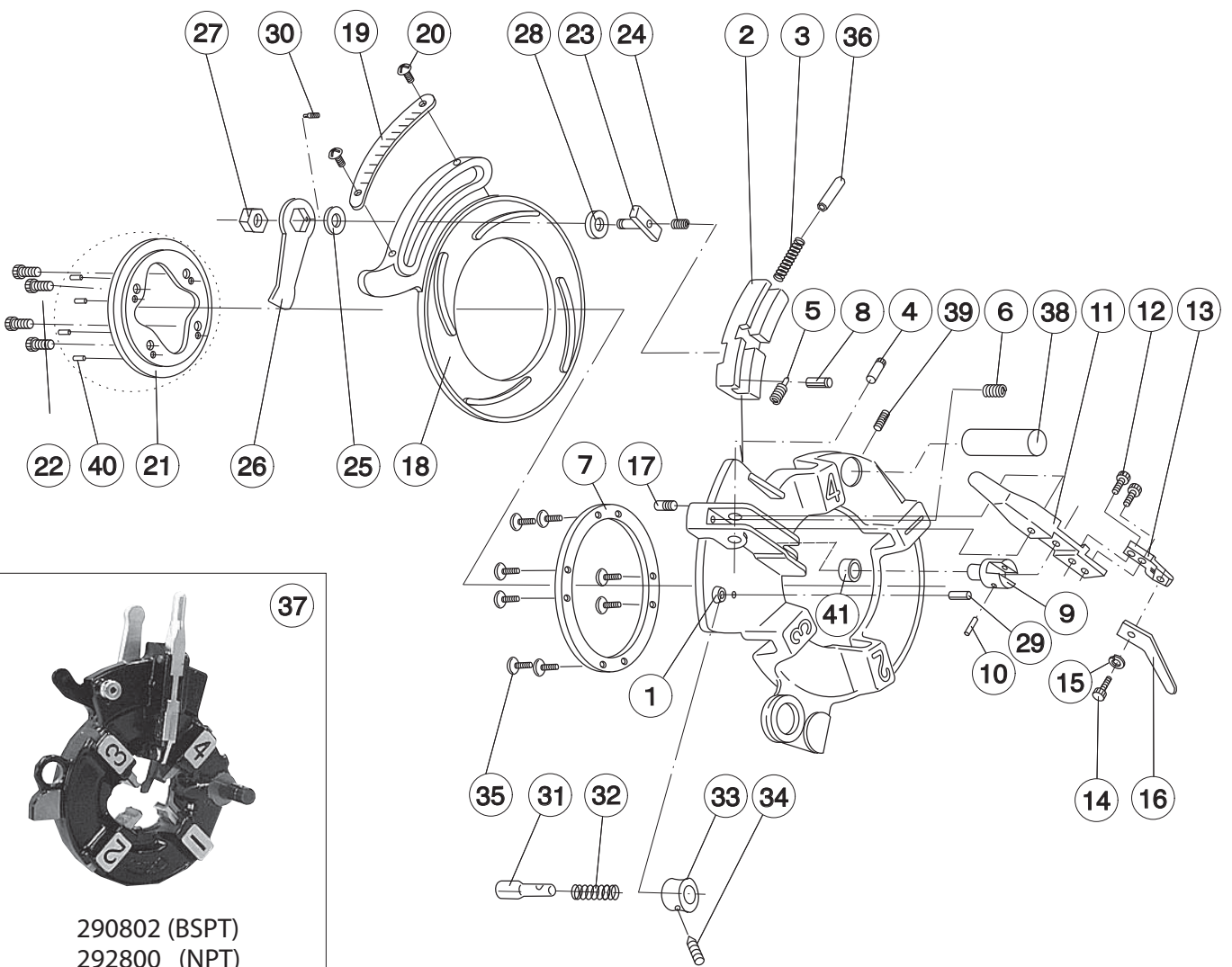


Uni-auto Die Head R-type 1/2 - 2"

290802 : 1/2-2 BSPT
 292800 : 1/2-2 NPT

* Uni-auto Die Head complete set are not available.
 Spare parts for Uni-auto Die Head are partially discontinued, so please confirm when ordering.



2018.7.18

Uni-auto Die Head 50A (1/2-2")

2021/09/21

Exp. No.	Parts No.	Parts Name	Spec.	Q'ty	Remarks
1	N674	Die Head Body	Uni-auto1/2-2Rtype	1	With die head post (N676) & auto-open pin roller(W662)
2	N681	Opening Block		1	
3	N694	Spring		1	
4	N714	Lever Pin		1	
5	N720	Spring		1	
6	N718C	Open Lever Spring		1	
7	N682	Die Head Ring		1	
8	WM62	Grooved Pin	C6x12	1	
9	N709	Auto-Open Pin		1	
10	N716	Straight Pin		1	
11	N683	Open lever		1	
12	W060	Socket Head Cap Screw	M6x10	2	
13	N684	Aut0-Open Link		1	
14	W080	Socket Head Cap Screw	M8x15	1	
15	WG08	Spring washer	8mm	1	
16	N697	Auto-Open Lever	BSPT	1	for 290802 / *discontinued
16	N692	Auto-Open Lever	NPT	1	for 292800
17	N717C	Stop Screw		1	
18	N678	Cam Plate		1	
19	N696	Size Plate	BSPT	1	for 290802
19	N677	Size Plate	NPT	1	for 292800
20	W546	Truss Head machine Screw	M4x8	2	
21	N679	Retaining Ring		1	
22	W062	Socket Head Cap Screw	M6x16	4	
23	N685	Cam Plate Fixed Pin		1	
24	N722	Cam Fix Shaft Spring	BSPT	1	
24	N722C	Cam Fix Shaft Spring	NPT	1	
25	W183	Flat washer	M12X24X2.5, Black	1	
26	N691	Lever Nut		1	
27	N686	Nut		1	
28	N693	Fixed Pin Washer		1	
29	WL52	Roll Pin	M5x14	1	
30	W856	Hex Socket Set Screw	M5x6	1	
31	N688	Open pin		1	
32	N690	Spring		1	
33	N689	Knob		1	
34	W650	Hex Socket Set Screw	M5X5	1	
35	W04C	Socket Head Button Screw	M4x10	8	
36	7735C	Spring guide pin		1	
37	-	Complete Uni-Auto Die Head	BSPT1/2-2"	1pc.	see Product List 290802
37	-	Complete Uni-Auto Die Head	NPT1/2-2"	1pc.	see Product List 292800
38	N676	Die Head Post		1	
39	W662	Hex Socket Set Screw point-end	M6x8	1	
40	G860	Die Notch		1	
41	N687	Auto-Open Bush		1	
42	-	Dies	various	1set	see Product List
42	-	Dies	various	1set	see Product List