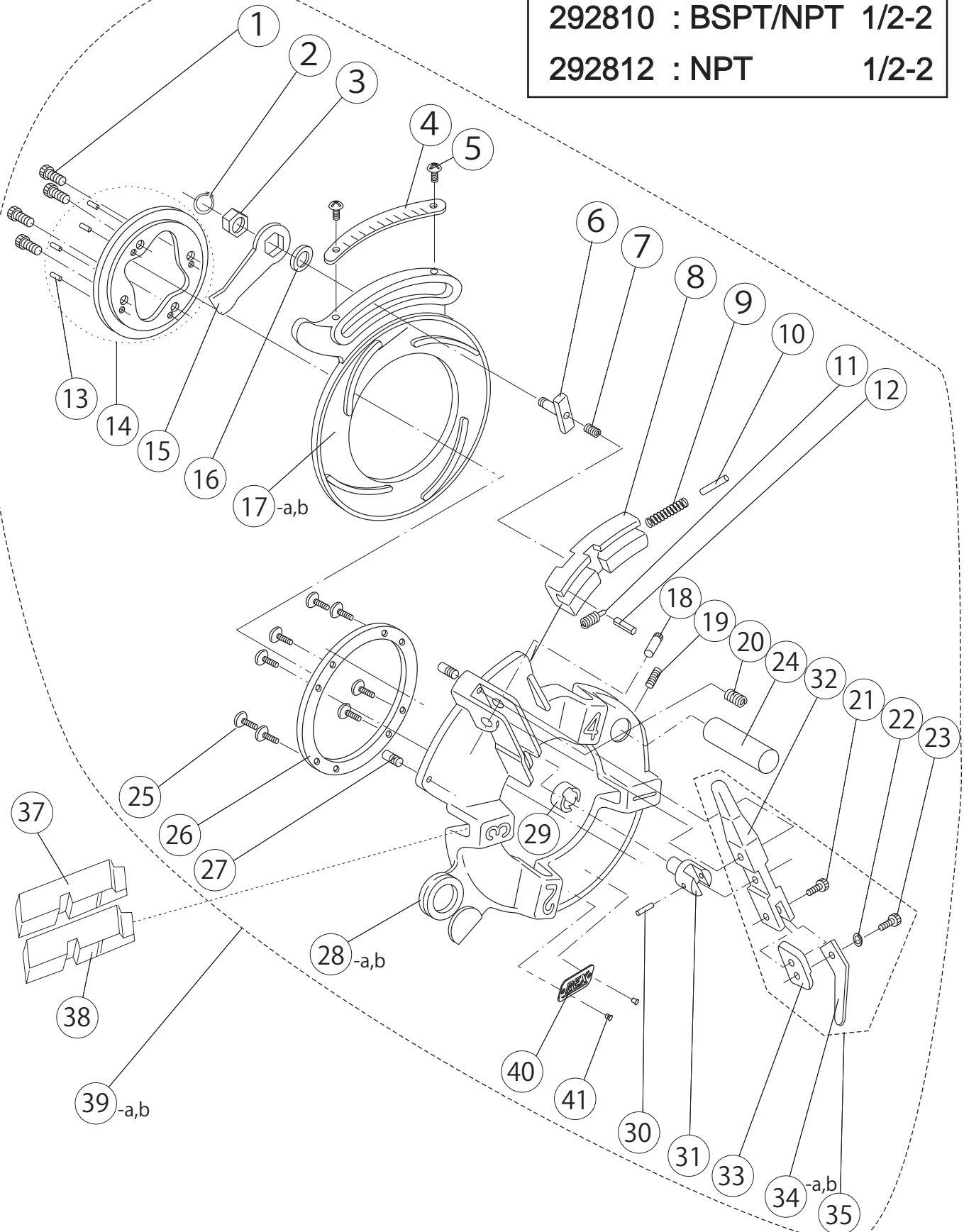


Uni-auto Die Head 50A (1/2 - 2") P-type

292810 : BSPT/NPT 1/2-2

292812 : NPT 1/2-2



REX

Exp. No.	Drawings & NO.	Parts No.	Parts Name	Spec.	Q'ty	Remarks
1	Uni-auto Die Head	W062	Hex Socket Head Cap Screw	M6x16	4	
2	Uni-auto Die Head	WW20	Snap Ring (External)	Φ20	1	
3	Uni-auto Die Head	N707	Nut		1	
4	Uni-auto Die Head	N731	Size Plate	BSPT / BSPP / NPT	1	Old type:N721
5	Uni-auto Die Head	W541	Truss Head machine Screw	M4x5	2	
6	Uni-auto Die Head	N706	Cam Plate Fixed Pin		1	
7	Uni-auto Die Head	N722	Cam Fix Shaft Spring		1	
8	Uni-auto Die Head	N704	Opening Block		1	
9	Uni-auto Die Head	7697	Open Block Spring		1	
10	Uni-auto Die Head	7735C	Open Block Spring Shaft		1	
11	Uni-auto Die Head	N720	Block Buffer Spring		1	
12	Uni-auto Die Head	WL62	Roll Pin	Φ6x16	1	
13	Uni-auto Die Head	G860	Die Notch		4	
14	Uni-auto Die Head	N703	Retaining Ring with Die Notches		1	incl. No. 13
15	Uni-auto Die Head	N705	Lever Nut		1	
16	Uni-auto Die Head	WI06	Flat Washer	M12X26X2.3	1	
17-a	Uni-auto Die Head	N751	Cam Plate	1/2-2 P-type	1	
17-b	Uni-auto Die Head	N702	Cam Plate	1/2-2 Old type	1	**Discontinued
18	Uni-auto Die Head	N714	Open Lever Pin (A)		1	
19	Uni-auto Die Head	W661	Hex Socket Set Screw	M6x6	1	
20	Uni-auto Die Head	N718C	Open Lever Spring		1	
21	Uni-auto Die Head	W081	Hex Socket Head Cap Screw	M8x16	1	
22	Uni-auto Die Head	WI81	Flat Washer	Φ8	1	
23	Uni-auto Die Head	W08T	Hex Socket Head Cap Screw	M8x12	1	
24	Uni-auto Die Head	7713	Die Head Post		1	
25	Uni-auto Die Head	WA12	Hex Socket Flat Head Screw	M4x10	8	1/2-2 P-type
26	Uni-auto Die Head	N728C	Die Head Ring		1	
27	Uni-auto Die Head	N717C	Open Block Stop Screw		2	
28-a	Uni-auto Die Head	N725P	Die Head Body	1/2-2 P-type	1	incl. No. 29/Old No. N750
28-b	Uni-auto Die Head	N701	Die Head Body	1/2-2 Old type	1	**Discontinued
29	Uni-auto Die Head	N710	Auto Open Bush		1	incl. No. 28
30	Uni-auto Die Head	N716	Straight Pin	Φ6x15	1	
31	Uni-auto Die Head	N709	Auto-Open Pin		1	
32	Uni-auto Die Head	N711	Auto-Open Link A		1	
33	Uni-auto Die Head	N732	Auto-Open Link		1	Old No. N712
34-a	Uni-auto Die Head	N713	Auto-Open Lever C	BSPT	1	for 292810
34-b	Uni-auto Die Head	N734	Auto-Open Lever C	NPT	1	for 292812 / Old No. N727
35	Uni-auto Die Head	-	Auto-Open Lever Set		1set	No.21-23,32-34
37	Uni-auto Die Head	-	Dies	various	1set	see Product List
38	Uni-auto Die Head	-	Dies	various	1set	see Product List
39	Uni-auto Die Head	-	Complete Uni-Auto Die Head	BSPT1/2-2"	1pc.	see Product List 292810
39	Uni-auto Die Head	-	Complete Uni-Auto Die Head	NPT1/2-2"	1pc.	see Product List 292812