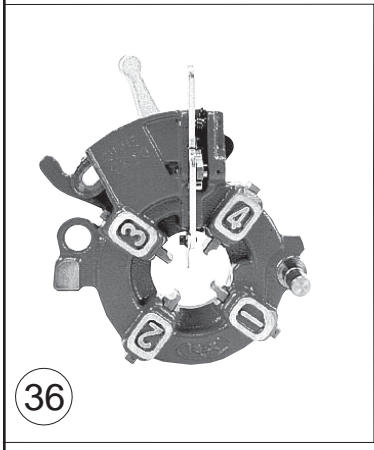
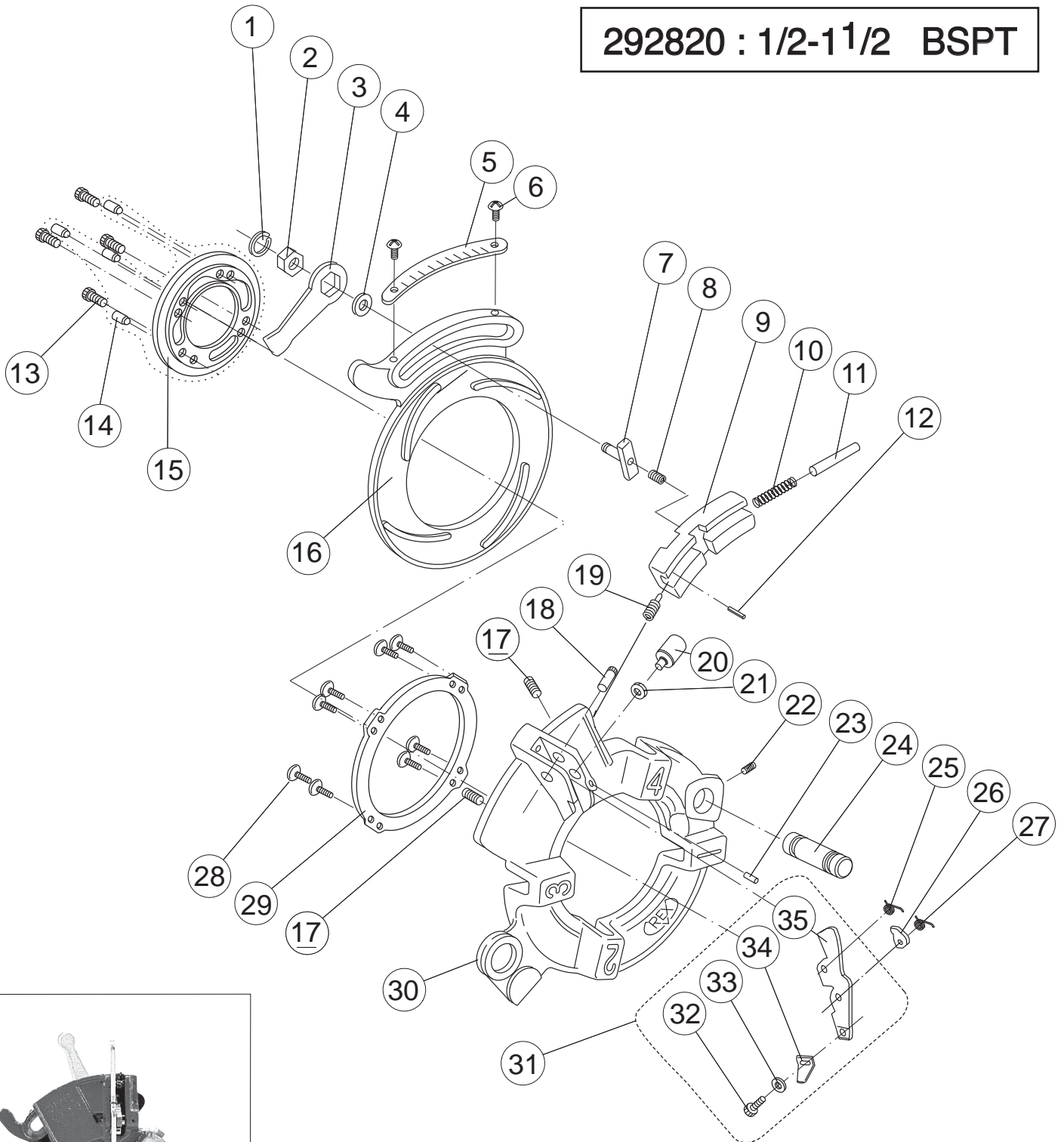


Uni-auto Die Head 40A (1/2 - 1 1/2)

292820 : 1/2-1 1/2 BSPT



REX

Uni-auto Die Head 40A (1/2-1.1/2")

2017/8/10

Exp. No.	Parts No.	Parts Name	Spec.	Q'ty	Remarks
1	WW20	Snap Ring (External)	Φ20	1	
2	N707	Nut		1	
3	N705	Lever Nut		1	
4	WI06	Flat Washer	M12x26x2.3	1	
5	G830	Size Plate		1	
6	W541	Truss Head machine Screw	M4x5	2	
7	G811	Cam Plate Fixed Pin		1	
8	N722	Cam Fix Shaft Spring		1	
9	G820	Opening Block		1	
10	7697	Open Block Spring		1	
11	7735C	Open Block Spring Shaft		1	
12	WL63	Roll Pin	Φ6x18	1	
13	W06M	Hex Socket Head Cap Screw	M6x16	4	
14	G860	Die Notch		4	
15	G805	Retaining Ring with Die Notches		1	incl. No. 14
16	G802	Cam Plate		1	
17	W785	Hex Socket Set Screw	Cup point M8x18	2	
18	N714	Open Lever Pin (A)		1	
19	7698	Block Buffer Spring		1	
20	G867	Cam Plate pin (L)		1	
21	G868	Cam Plate Collar		1	
22	W661	Hex Socket Set Screw	Cone point M6x6	1	
23	WL42	Roll Pin	Φ4x12	1	
24	7713	Die Head Post		1	
25	7696	Open Lever Spring		1	
26	7736	Guide Plate		1	
27	7739	Cam Plate Spring		1	
28	W04C	Hex Socket Button Head Screw	M4x10	8	
29	G880	Die Head Ring		1	
30	G900	Die Head Body	Uni-auto1/2-1.1/2	1	
31	07860	Auto-Open Lever Set		1set	for 292820
32	W060	Hex Socket Head Cap Screw	M6x10	1	
33	WI62	Flat Washer	M6X13X1.0	1	
34	G866	Auto-Open Lever B	BSPT	1	
35	-	Auto-Open Lever A		1	
36	292820	Complete Uni-Auto Die Head	BSPT1/2-1.1/2"	1pc.	see Product List 292820
37	-	Dies 1/2-3/4"	various	1set	see Product List
37	-	Dies 1-1.1/2"	various	1set	see Product List