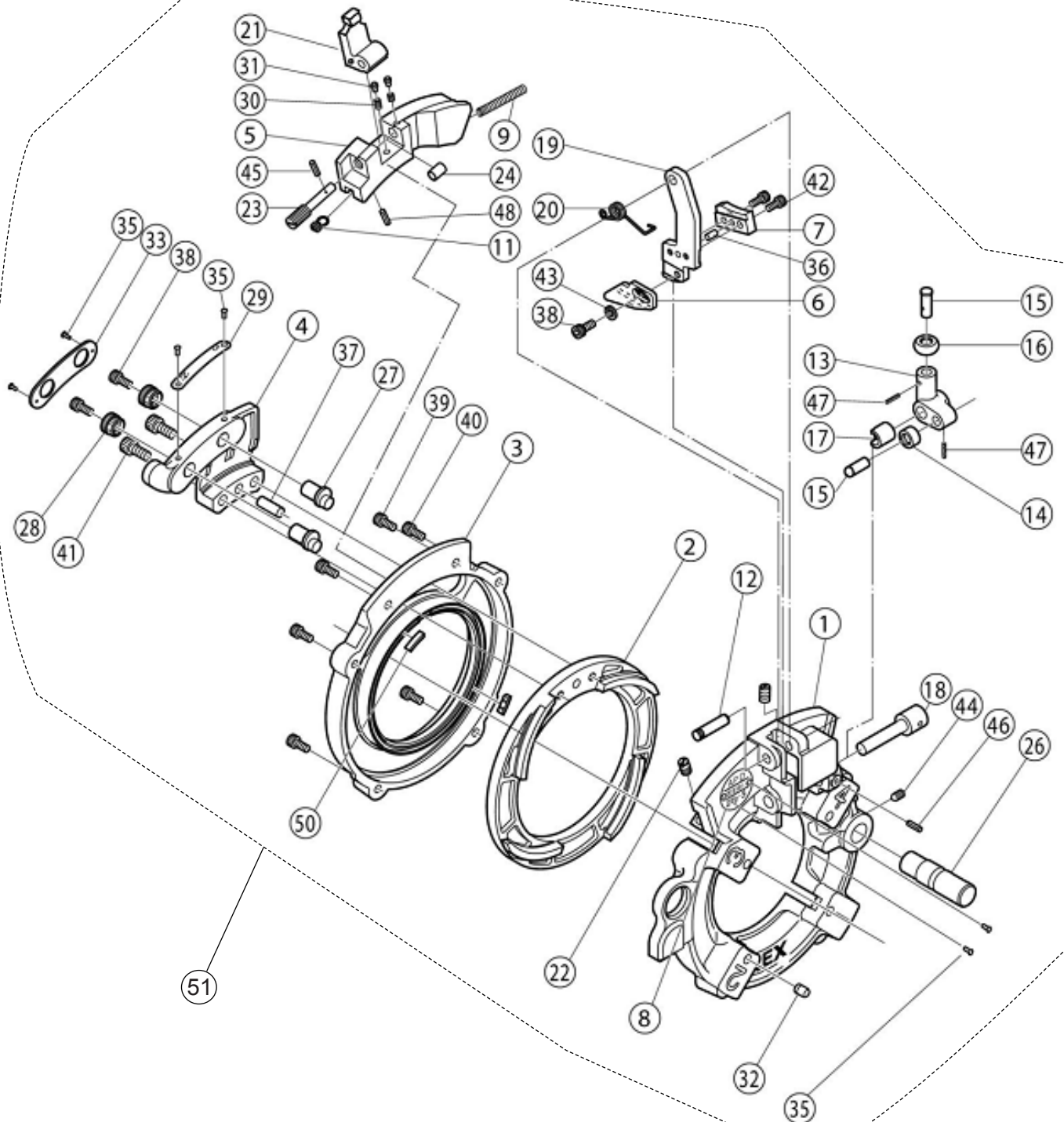


Self-profiling Die Head 80A (2 1/2 - 3")

29A901 : BSPT 2 1/2 - 3"



REX

Self-profiling Die Head 65-80A (2.1/2-3")

Exp. No.	Parts No.	Parts Name	Spec.	Q'ty	Remarks
1	ND40	Die Head Body	2.1/2-3"	1	With die head post (7713) & auto-open pin roller(W662)
2	ND41	Cam Plate		1	
3	ND42	Retaining Ring		1	
4	ND43	Setting Holder		1	
5	ND44	Opening Block		1	
6	ND45	Auto-Open Lever		1	
7	ND46	Profiling Board		1	
8	ND47	Name Plate		1	
9	ND48	Spring		1	
11	ND01	Spring		1	
12	ND02	Lever Pin		1	
13	ND03	Profiling Lever		1	
14	ND04	Ring A		1	
15	ND05	Pin		2	
16	ND06	Ring B		1	
17	ND07	Collar		1	
18	ND08	Profiling Lever Pin		1	
19	ND09	Auto-Open Lever		1	
20	ND10	Lever Spring		1	
21	7690	Size Setting Lever		1	
22	ND15	Opening Block Pin		2	
23	ND32	Retaining Pin		1	
24	ND33	Retaining Pin Collar		1	
26	7713	Die Head Post		1	
27	ND49	Crank pin		2	
28	7693	Size Adjustment knob		2	
29	7744	Size Plate	BSPT	1	for 29A901
30	7752	Spring		2	
31	7790	Open pin		2	
32	G860	Die Notch		4	
33	L193	Size Adjustment plate		1	
35	WN34	Rivet	(#4×5)	6	
36	WL51	Roll Pin	(5×12)	1	
37	WN1A	Parallel Pin	(B-type φ8×25)	1	
38	W060	Socket Head Cap Screw	(M6×10)	3	
39	W061	Socket Head Cap Screw	(M6×12)	2	
40	W063	Socket Head Cap Screw	(M6×20)	4	
41	W080	Socket Head Cap Screw	(M8×15)	2	
42	W05H	Socket Head Cap Screw	(M5×8)	2	
43	WG06	Spring washer	(6)	1	
44	W662	Hex Socket Set Screw	(Point-end/M6×8)	1	
45	WL24	Roll Pin	(2×8)	1	
46	WL4D	Roll Pin	(4×14)	1	
47	WL3A	Roll Pin	(3×14)	2	
48	WL63	Roll Pin	(6×18)	1	
50	3355	Retaining Ring Plug	3B	2	
51	MKN3DH	Complete Self-Profiling Die Head	BSPT1.1/2-3"	1pc.	see Product List 29A901