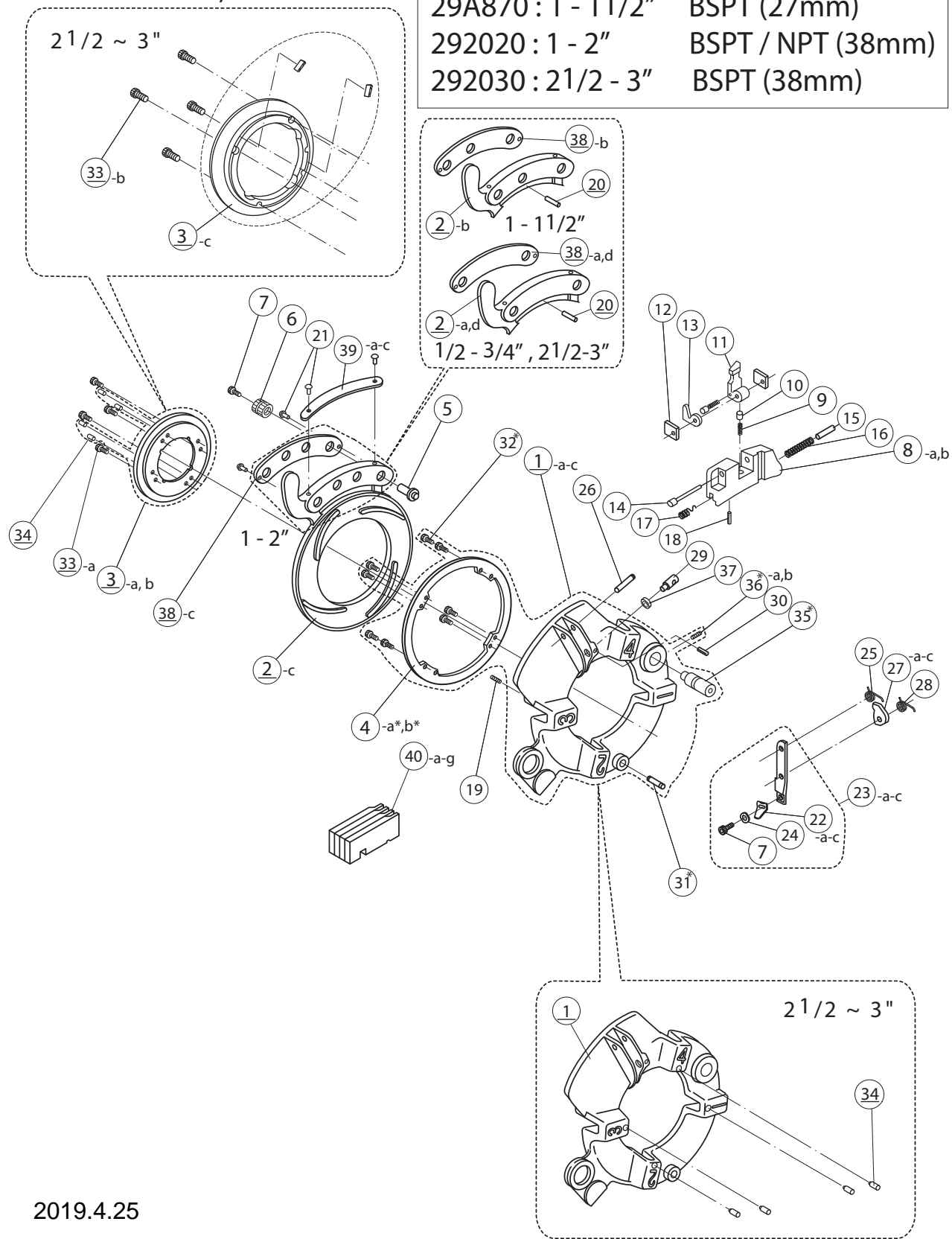


Self Open Die Head for 80A (1/2 - 3")

1/2 - 3/4", 1 - 1 1/2",
1 - 2", 2 1/2 - 3"

292850 : 1/2 - 3/4"	BSPT / NPT (27mm)
29A870 : 1 - 1 1/2"	BSPT (27mm)
292020 : 1 - 2"	BSPT / NPT (38mm)
292030 : 2 1/2 - 3"	BSPT (38mm)



2019.4.25

Drawings & NO.	REX Parts No.	Parts Name	Spec.	Q'ty	SIZE				Remarks
					1/2 - 3/4"	1 - 21/2"	1 - 2"	21/2 - 3"	
					292850	29A870	292020	292030	
1 - a	G900	Die head body 27mm (+G880(No.4-a*)+W34A(No.32*)+7713(No.35*)+W661(No.36-a*))	(1/2 - 3/4") (1 - 21/2")	1 set	○	○			Old No. 7723
1 - b	7721	Die head body 38mm (+7647(No.4-b*)+7689(No.31*)+W34A(No.32*)+7713(No.35*)+W662(No.36-b*))	(1 - 2")	1 set			○		
1 - c	7720	Die head body 38mm (+7647(No.4-b*)+7689(No.31*)+W34A(No.32*)+7713(No.35*)+W662(No.36-b*))	(21/2 - 3")	1 set				○	
2 - a	G808	Cam plate	(1/2 - 3/4")	1	○				Old No. 7727
2 - b	G803	Cam plate	(1/2 - 3/4") (1 - 21/2)	1	○	○			Old No. 7727
2 - c	7725	Cam plate	(1 - 2")	1			○		
2 - d	7724	Cam plate	(21/2 - 3")	1				○	
3 - a	G805	Retaining ring	(1/2 - 3/4") (1 - 21/2)	1	○	○			Old No. 7729
3 - b	N703	Retaining ring	(1 - 2")	1			○		
3 - c	7728	Retaining ring	(21/2 - 3")	1				○	
4 - a*	G880	Die head ring	(1/2 - 3/4") (1 - 21/2)	1	○	○			Old No. 7683
4 - b*	7647	Die head ring	(1 - 2") (21/2 - 3")	1			○	○	
5	7692	Crank pin		-	○2	○3	○4	○2	
6	7693	Size adjustment knob		-	○2	○3	○4	○2	
7	W060	Socket head cap screw	(M6 x 10)	-	○3	○4	○5	○3	
8 - a	7741	Opening block		1	○	○	○	○	
8 - b	7740	Opening block	(21/2 - 3")	1				○	
9	7752	Spring		1	○	○	○	○	
10	7790	Notch pin		1	○	○	○	○	
11	7690	Size setting lever		1	○	○	○	○	
12	7743	Size adjustment plate		2	○	○	○	○	
13	7700	Pin stop plate	(21/2 - 3")	1				○	
14	7742	Retaining pin		1	○	○	○	○	
15	7735	Spring guide		1	○	○	○	○	
16	7697	Spring		1	○	○	○	○	
17	7698	Spring		1	○	○	○	○	
18	WL63	Roll pin	(6 x 18)	1	○	○	○	○	
19	W785	Hex-socket set screw	(cup point M8 x 18)	2	○	○	○	○	
20	WL53	Roll pin (5 x 16)	(1/2 - 3/4") (1 - 21/2)	1	○	○			
21	WN34	Rivet	(φ4 x 5)	4	○	○	○	○	
22 - a	G866	Auto-open lever (part C)	(1/2 - 3/4")	1	○	○			
22 - b	7794	Auto-open lever (part C)	(1 - 2")	1			○		
22 - c	7793	Auto-open lever (part C)	(21/2 - 3")	1				○	
23 - a	G901	Auto-open lever set	(1/2 - 3/4")	1 set	○	○			292850 / 29A870
23 - b	G902	Auto-open lever set	(1 - 2")	1 set			○		292020
23 - c	G903	Auto-open lever set	(21/2 - 3")	1 set				○	292030
24	WG06	Washer	(6)	1	○	○	○	○	
25	7696	Lever spring		1	○	○	○	○	
26	N714	Lever pin		1	○	○	○	○	
27 - a	7753	Guide plate	(1/2 - 3/4")	1	○				
27 - b	7736	Guide plate	(1 - 2") (1 - 21/2)	1		○	○		
27 - c	7759	Guide plate	(21/2 - 3")	1				○	Old No. 7755
28	7739	Cam plate spring		1	○	○	○	○	
29	G867	Guide plate pin L		1	○	○	○	○	Old No. 7737
30	WL42	Roll pin	(4 x 12)	1	○	○	○	○	
31*	7689	Stop pin	(1 - 2") (21/2 - 3")	1			○	○	
32*	W34A	Socket head cap screw	(M4 x 10)	8	○	○	○	○	
33 - a	W062	Socket head cap screw (M6 x 16)	(1/2 - 3/4") (1 - 21/2) (1 - 2")	4	○	○	○		
33 - b	W063	Socket head cap screw (M6 x 20)	(21/2 - 3")	4				○	
34	G860	Dies notch		4	○	○	○	○	
35*	7713	Die head post		1	○	○	○	○	
36 - a*	W661	Hex-socket set screw (cone point M6 x 6)	(1/2 - 3/4") (1 - 21/2)	1	○	○			
36 - b*	W662	Hex-socket set screw (cone point M6 x 8)	(1 - 2") (21/2 - 3")	1			○	○	
37	G868	Guide plate collar		1	○	○	○	○	
38 - a	G834	Adjustment plate	(1/2 - 3/4")	1	○				
38 - b	G833	Adjustment plate	(1 - 21/2)	1		○			
38 - c	L200	Adjustment plate	(1 - 2")	1			○		
38 - d	L191	Adjustment plate	(21/2 - 3")	1				○	
39 - a	7747	Size plate (BSPT / NPT)	(1/2 - 3/4")	1	○				
39 - b	G831	Size plate (BSPT)	(1 - 21/2)	1		○			
39 - c	L189	Size plate (BSPT / NPT)	(1 - 2")	1			○		
39 - d	7744	Size plate (BSPT)	(21/2 - 3")	1				○	
40 - a	161907	Dies (BSPT 27mm, Alloy)	(1/2 - 3/4")	1 set	○				Option: see product list
40 - b	161910	Dies (BSPT 27mm, Alloy)	(1 - 21/2)	1 set		○			Option: see product list
40 - c	16B430	Dies (BSPT 38mm, Alloy)	(1 - 2")	1 set			○		Option: see product list
40 - d	16B450	Dies (BSPT 38mm, Alloy)	(21/2 - 3")	1 set				○	Option: see product list
40 - e	161307	Dies (NPT 27mm, Alloy)	(1/2 - 3/4")	1 set	○				Option: see product list
40 - f	161310	Dies (NPT 27mm, Alloy)	(1 - 21/2)	1 set		○			Option: see product list
40 - g	16B030	Dies (NPT 38mm, Alloy)	(1 - 2")	1 set			○		Option: see product list
40 - h	-	Dies (NPT 38mm, Alloy)	(21/2 - 3")	1 set					Not available