

RB TUBE CUTTER 22

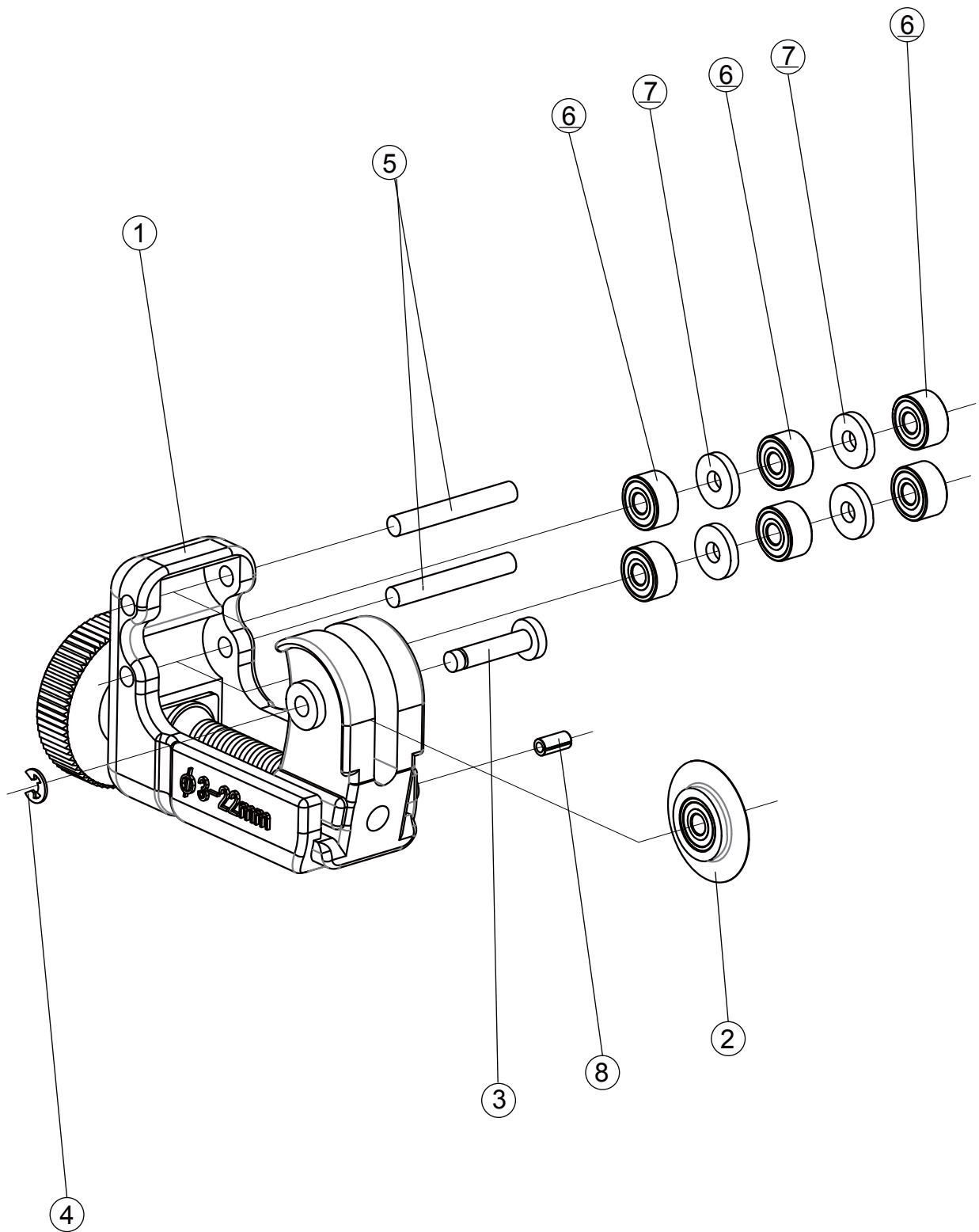
PARTS LIST

Date of issue : August 2007



REX

RB TUBE CUTTER 22



RB TUBE CUTTER MODEL RB22

2017.5.26

No.	Code no	PARTS NAME	Q' ty	REMARKS
1	RB81	Body	1	With Arm & Grip
2	424241	Cutter wheel for copper (Japanese pkg)	1	Assembled with no. 6 Bearing
3	RB83	Cutter wheel pin	1	
4	RB89	E ring (2mm)	1	
5	RB84	Roller pin	2	
6	RB85	Bearing W693ZZ (3x8x4)	6	
7	RB87	Roller collar	4	
8	RB86	Spring pin (2.5x5)	1	