

CE

R50A(V) - P50A(V)

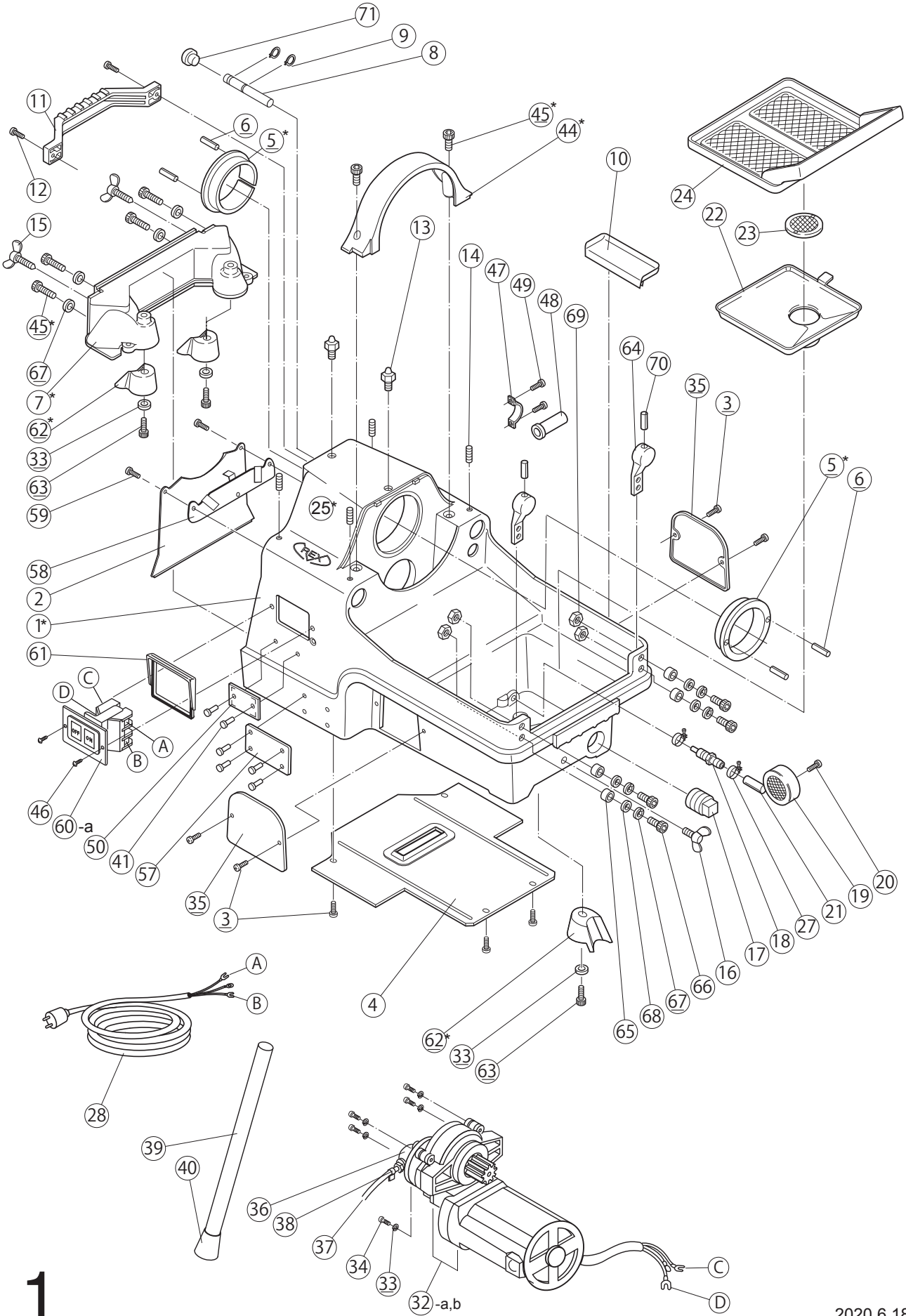
PIPE THREADING MACHINE

Parts List

REX

R50A(V)/P50A(V)

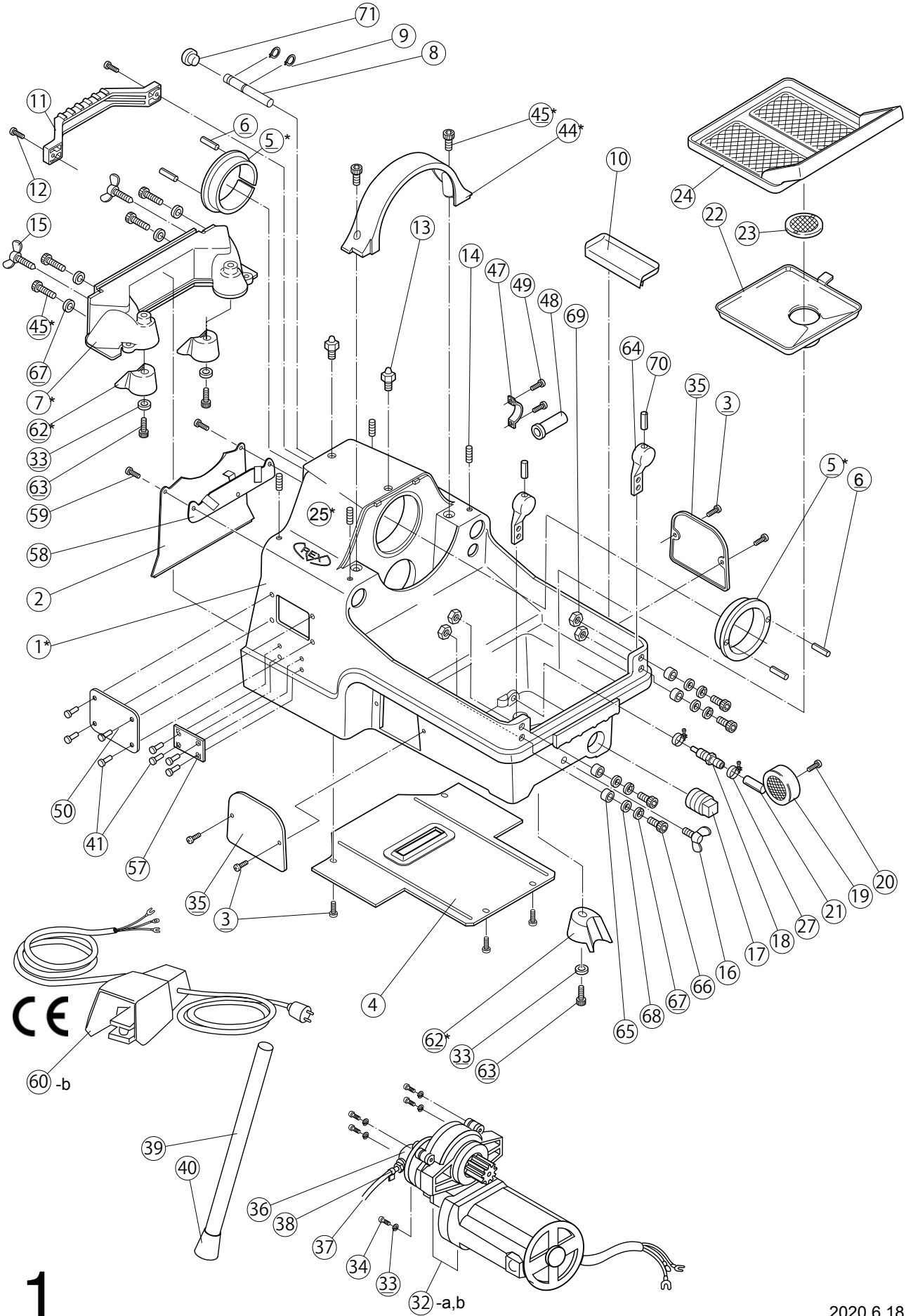
1. Base



1

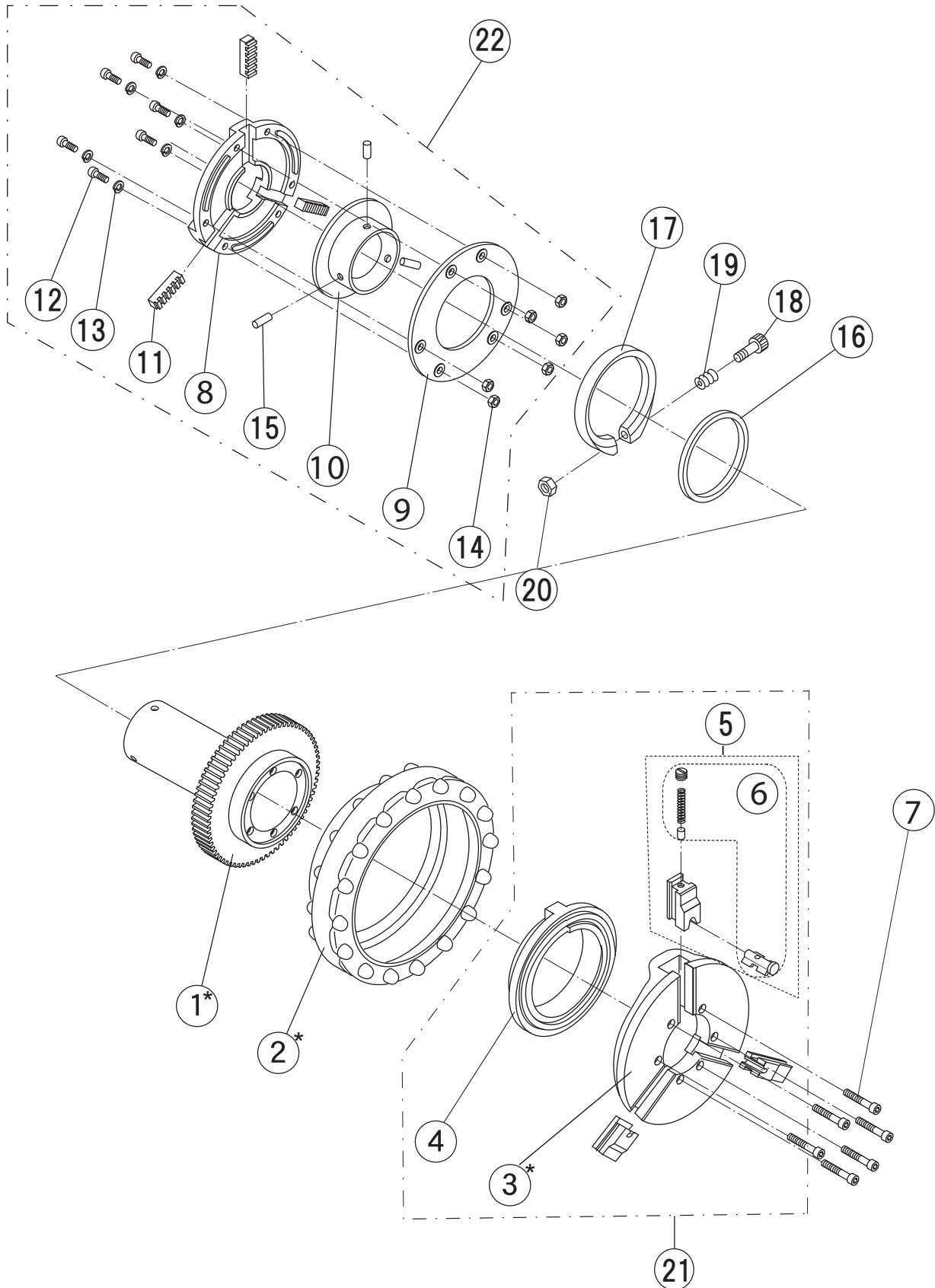
R50A(V)/P50A(V) : CE

1. Base



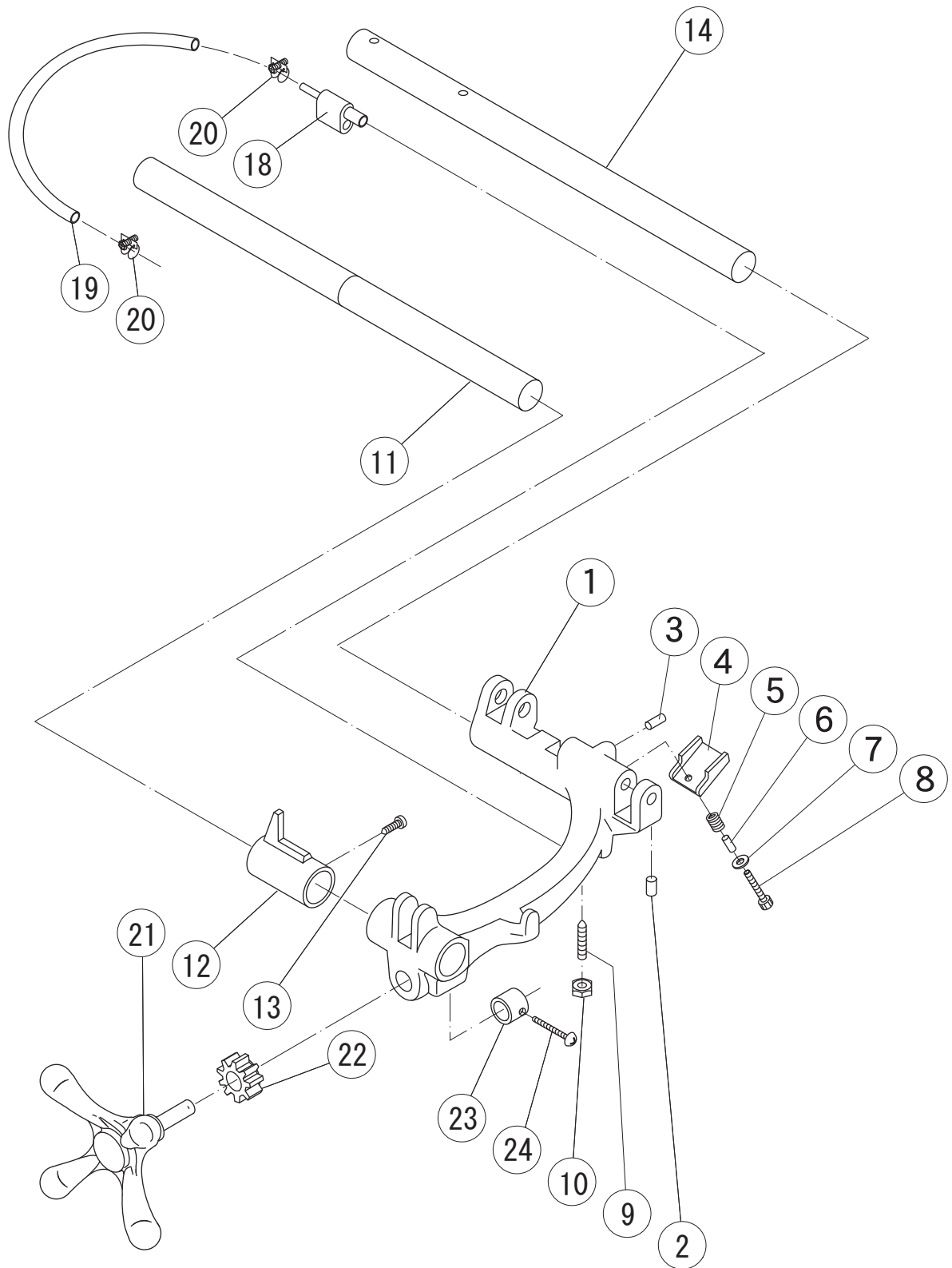
Page No.	Item No.	Page Title	CE	Part No.		Part Name	Q'ty	Interchangeable of N50A		G/W (Grms.)
				R50AV	P50AV			R50A	P50A	
1	1*	1.BASE		02NP		Base casting assembly set with 5,7,25, 44, 45 (2pcs.) and 62 from serial no.273640	1			
1	2	1.BASE		N503		Rear cover	1			558g
1	3	1.BASE		W251		Round head machine screw (M5x8)	8	○	○	3g
1	4	1.BASE		N505		Bottom Cover	1			430g
1	5*	1.BASE		N620		Main Shaft bearing	2			300g
1	6	1.BASE		WL41		Roll pin (4x10)	4	○	○	1g
1	7*	1.BASE		N524		Stand base	1			992g
1	8	1.BASE		N609		Oil tube cover	1			2g
1	9	1.BASE		WW16		Snap ring (16 mm)	2	○	○	1g
1	10	1.BASE		N624		Oil pan Old no. N033	1			145g
1	11	1.BASE		N504		Rear grip	1			195g
1	12	1.BASE		W083		Socket head cap screw (M8x25)	2	○	○	15g
1	13	1.BASE		J009		Grease nipple	2	○	○	3g
1	14	1.BASE		W78B		Hex-socket set screw cup point (M8x12)	4	○	○	3g
1	15	1.BASE		N630		Wing screw (M8x50)	2			41g
1	16	1.BASE		RJ76		Wing screw (M8x30)	1			26g
1	17	1.BASE		WA42		Drain plug (PTI)	1			50g
1	18	1.BASE		T056		Nipple	1	○	○	3g
1	19	1.BASE		N048		Strainer	1	○	○	25g
1	20	1.BASE		WA55		Round head tapping screw (M5x8)	1	○	○	2g
1	21	1.BASE		N049(0410-55)		Oil line tube A/Red (Strainer) Red/55mm	1	○	○	30g
1	22	1.BASE		N514		Tank upper cover	1			94g
1	23	1.BASE		N515		Oil filter	1			19g
1	24	1.BASE		N516		Scrap receiver	1			386g
1	25*	1.BASE		N600		Base casting	1			
1	27	1.BASE		ZJ50		Pipe band S (10mm)	2			3g
1	28	1.BASE (Non-CE)	No	N122		Cabtyre cord	1	○	○	615g
1	32-a	1.BASE **Discontinued		N109		Motor (Series motor) With/Gear box 220v	1	○	○	5,110g
1	32-b	1.BASE (Non-CE) **Discontinued	No	N009		Motor (Series motor) With/Gear box 110v	1	○	○	5,110g
1	33	1.BASE		WG08		Spring washer (8mm)	7	○	○	12g
1	34	1.BASE		W08B		Socket head cap screw (M8x45)	4	○	○	22g
1	35	1.BASE		N520		Side cover	2			40g
1	36	1.BASE		9010*		Gear pump* with joint (1035*) *Complete set can be supplied *See 5. MOTOR, PUMP No.22	1	○	○	600g
1	37	1.BASE		ZD03(0410-380)		Oil line tube B/Red (Intake) (380mm)	1	○	○	30g
1	38	1.BASE		ZJ50		Pipe band S (10mm)	3	○	○	3g
1	39	1.BASE		N121		Pipe stand	3	○	○	1,290g
1	40	1.BASE		N125		Leg cap	3	○	○	47g
1	41	1.BASE		WN34		Rivet (# 4x5)	6	○	○	1g
1	44*	1.BASE		N523		Gear cover	1			265g
1	45*	1.BASE		W063		Socket head cap screw (M6x20)	6	○	○	6g
1	46	1.BASE (Non-CE)	No	W4A6		Oval head machine screw (M4x16)	4	○	○	2g
1	47	1.BASE		7098		Clamp	1	○	○	6g
1	48	1.BASE		7021		Cord bushing	1	○	○	7g
1	49	1.BASE		W242		Round head machine screw (M4x10)	2	○	○	2g
1	50	1.BASE		-		Name plate	1			5g
1	57	1.BASE		L099		Warning plate(English)	1	○	○	10g
1	58	1.BASE		N695		Stop plate	1			54g
1	59	1.BASE		W251		Round head machine screw (M5x8)	2	*	○	3g
1	60-a	1.BASE (Non-CE)	No	N008		Switch (Push button switch)	1	○	○	155g
1	60-b	1.BASE (CE)	Yes	FSW1		Foot switch	1	○	○	1,500g
1	61	1.BASE (Non-CE)	No	N041		Switch packing	1	○	○	20g
1	62*	1.BASE		N525		Stand support	3			72g
1	63	1.BASE		W08F		Socket head cap screw (M8x30)	3			15g
1	64	1.BASE		N013C		Base support	2	○	○	94g
1	65	1.BASE		N057		Support collar	4	○	○	5g
1	66	1.BASE		W065		Socket head cap screw (M6x30)	4	○	○	8g
1	67	1.BASE		WG06		Spring washer (6mm)	8	○	○	1g
1	68	1.BASE		W162		Washer (6mm)	4	○	○	1g
1	69	1.BASE		WD06		Nut (M6)	4	○	○	2g
1	70	1.BASE		WL60		Roll pin (6x12)	2	○	○	1g
1	71	1.BASE		N054		Cap	1	○	○	1g

2. Main Shaft



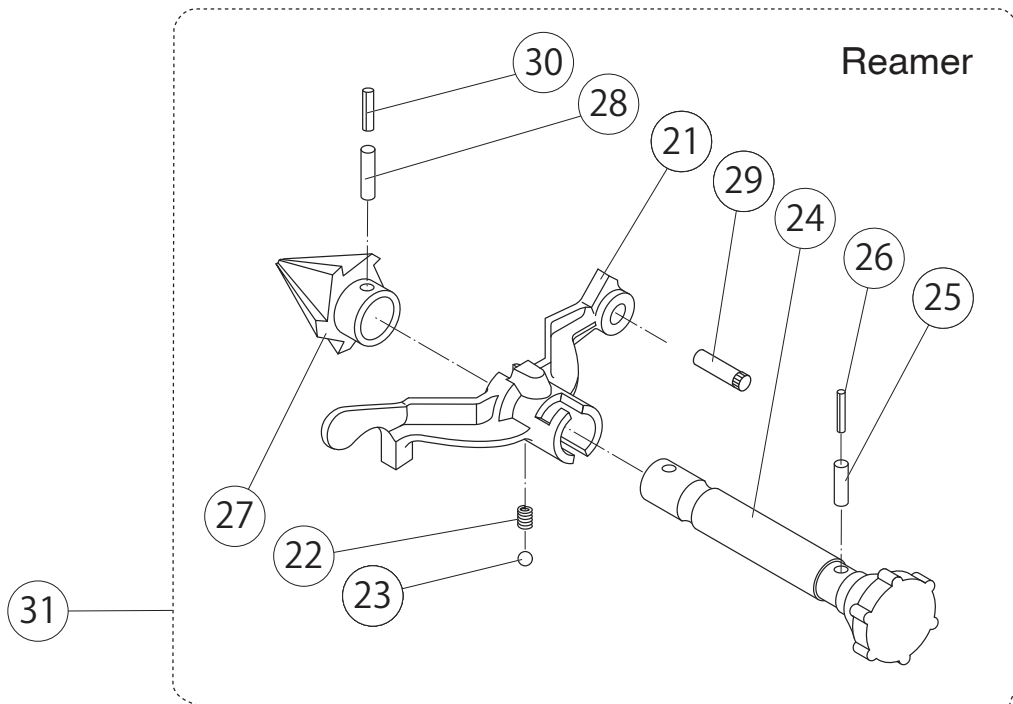
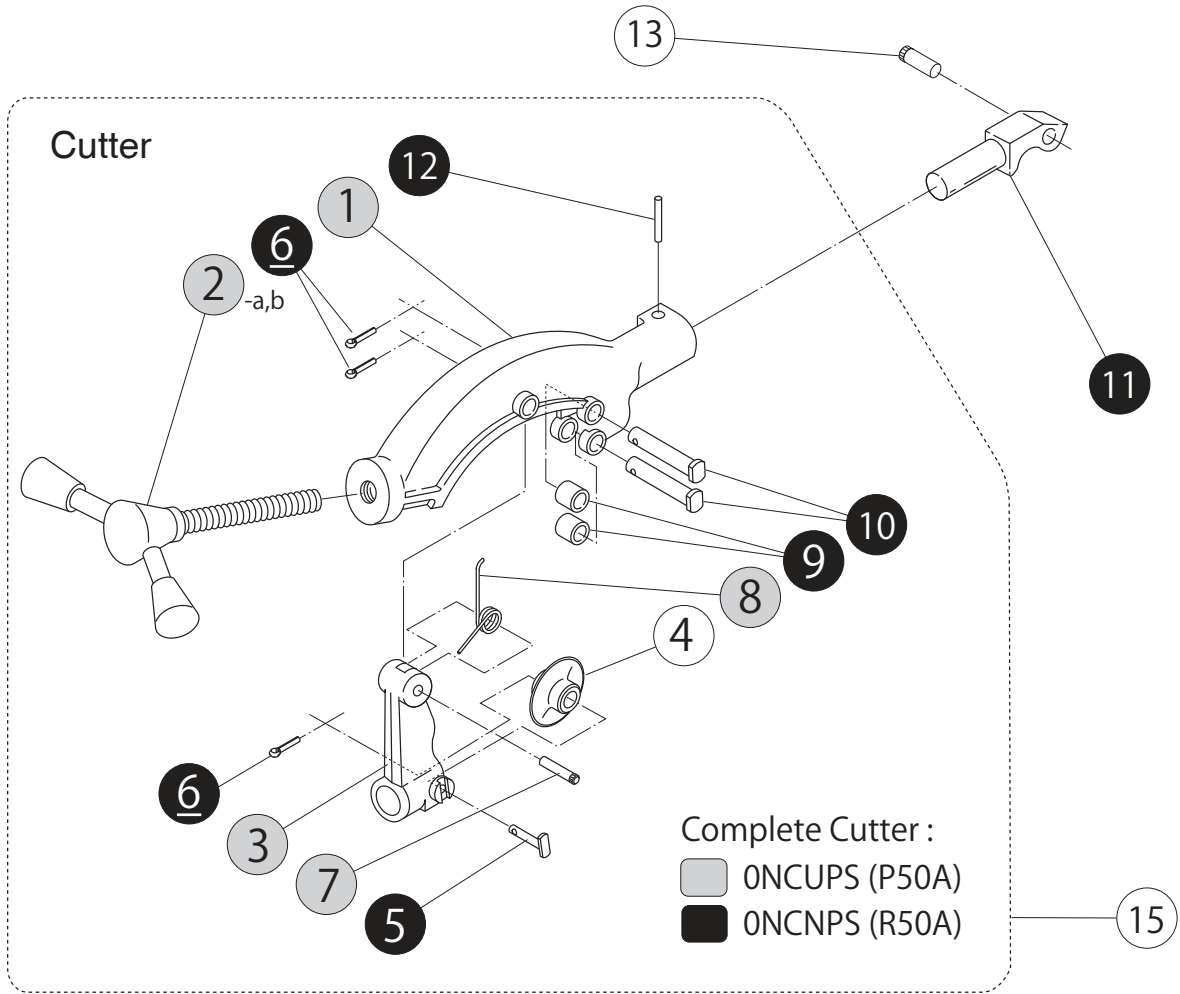
Page No.	Item No.	Page Title	CE	Part No.		Part Name	Q'ty	Interchangeable of N50A		G/W (Grms.)
				R50AV	P50AV			R50A	P50A	
2	1	2. MAIN SHAFT		02NR		Main Shaft (With main shaft gear and roll pins)	1set			4,200g
2	2	2. MAIN SHAFT		N601	N080	Hand wheel	1	Δ	○	2,280g
2	3	2. MAIN SHAFT (CE)	Yes	NH00		Chuck body	1	○	○	2,240g
2	4	2. MAIN SHAFT (Non-CE) **Discontinued	No	NS00		chuck scroll	1	○	○	711g
2	5	2. MAIN SHAFT (CE) **Discontinued	Yes	N0CJS		Chuck jaw set. KS-Type (No.5-6)	3pcs/set 1set			975g
2	6	2. MAIN SHAFT (CE)	Yes	70KS		Chuck jaw insert set. KS-Type	1set	○	○	290g
		2. MAIN SHAFT (CE)				Spring retainer				
		2. MAIN SHAFT (CE)				Spring				
		2. MAIN SHAFT (CE)				Hex-socket set screw (M7x7), 3pcs/set				
2	7	2. MAIN SHAFT		W07B		Socket head cap screw (without knurling) (M7x54)	6	○	○	
2	8	2. MAIN SHAFT		4RS1	4PS1	Rear chuck receptacle	1			474g
2	9	2. MAIN SHAFT		4RS2	4PS2	Rear chuck cover	1			376g
2	10	2. MAIN SHAFT		4PS3		Rear scroll	1			1,073g
2	11	2. MAIN SHAFT		4PSS		Rear chuck jaw	3pcs/set 1set			199g
2	12	2. MAIN SHAFT		W056		Socket head cap screw (M5x20)	6			3g
2	13	2. MAIN SHAFT		WG05		Spring washer (5mm)	6			1g
2	14	2. MAIN SHAFT		ZD05		Nut (M5)	6			2g
2	15	2. MAIN SHAFT		WL62		Roll pin (6x16)	3			2g
2	16	2. MAIN SHAFT **Discontinued		N083		Thrust ring	1	○	○	106g
2	17	2. MAIN SHAFT		N082		Adjust ring	1	○	○	47g
2	18	2. MAIN SHAFT		W069		Socket head cap screw (M6x55)	1	○	○	14g
2	19	2. MAIN SHAFT		F030		Spring	1	○	○	2g
2	20	2. MAIN SHAFT		WE16		U nut	1	○	○	2g
2	21	2. MAIN SHAFT		N006	N006	Chuck complete set. KS-Type (No.3-6)	1	○	○	6,051g
2	22	2. MAIN SHAFT		N508	N507	Rear chuck complete set. (No.8-15)	1			2,148g

3. Carriage



Page No.	Item No.	Page Title	CE	Part No.		Part Name	Qty	Interchangeable of N50A		G/W (Grms.)
				R50AV	P50AV			R50A	P50A	
3	1	3. CARRIAGE		N604	N010	Carriage (with No.2(N051) + No.3(G861))	1		O	3,612g
3	2	3. CARRIAGE			N051	Plug pin	1	O	O	
3	3	3. CARRIAGE			G861	Ball plunger	1	O	O	
3	4	3. CARRIAGE **Discontinued			N032	Oil drip cover	1	O	O	37g
3	5	3. CARRIAGE			N037	Spring	1	O	O	4g
3	6	3. CARRIAGE **Discontinued			9056	Collar	1	O	O	5g
3	7	3. CARRIAGE			WG06	Washer 6mm	1	O	O	3g
3	8	3. CARRIAGE			W063	Socket head cap screw (M6x20)	1	O	O	6g
3	9	3. CARRIAGE			W665	Hex-socket set screw (M6x15)	1	O	O	2g
3	10	3. CARRIAGE			WD06	Jam nut (M6)	1	O	O	2g
3	11	3. CARRIAGE **Discontinued			N011	Carriage support bar A	1	O	O	2,610g
3	12	3. CARRIAGE **Discontinued			N081	Security collar	1	O	O	38g
3	13	3. CARRIAGE			W251	Round head machine screw (M5x8)	1	O	O	2g
3	14	3. CARRIAGE **Discontinued			N012	Carriage support bar B	1	O	O	2,722g
3	18	3. CARRIAGE			N631 N044	Oil tube connector	1		O	46g
3	19	3. CARRIAGE			ZD03(0410-720)	Oil line tube B/Red (Feed) (720mm)	1	O	O	30g
3	20	3. CARRIAGE			ZJ50	Pipe band S (10mm)	2	O	O	3g
3	21	3. CARRIAGE			N014	Carriage handel (with feed gear shaft)	1	O	O	695g
3	22	3. CARRIAGE			A515	Carriage feed gear	1	O	O	132g
3	23	3. CARRIAGE			9018	Feed gear stop ring	1	O	O	32g
3	24	3. CARRIAGE			W256	Round head machine screw (M5x30)	1	O	O	4g

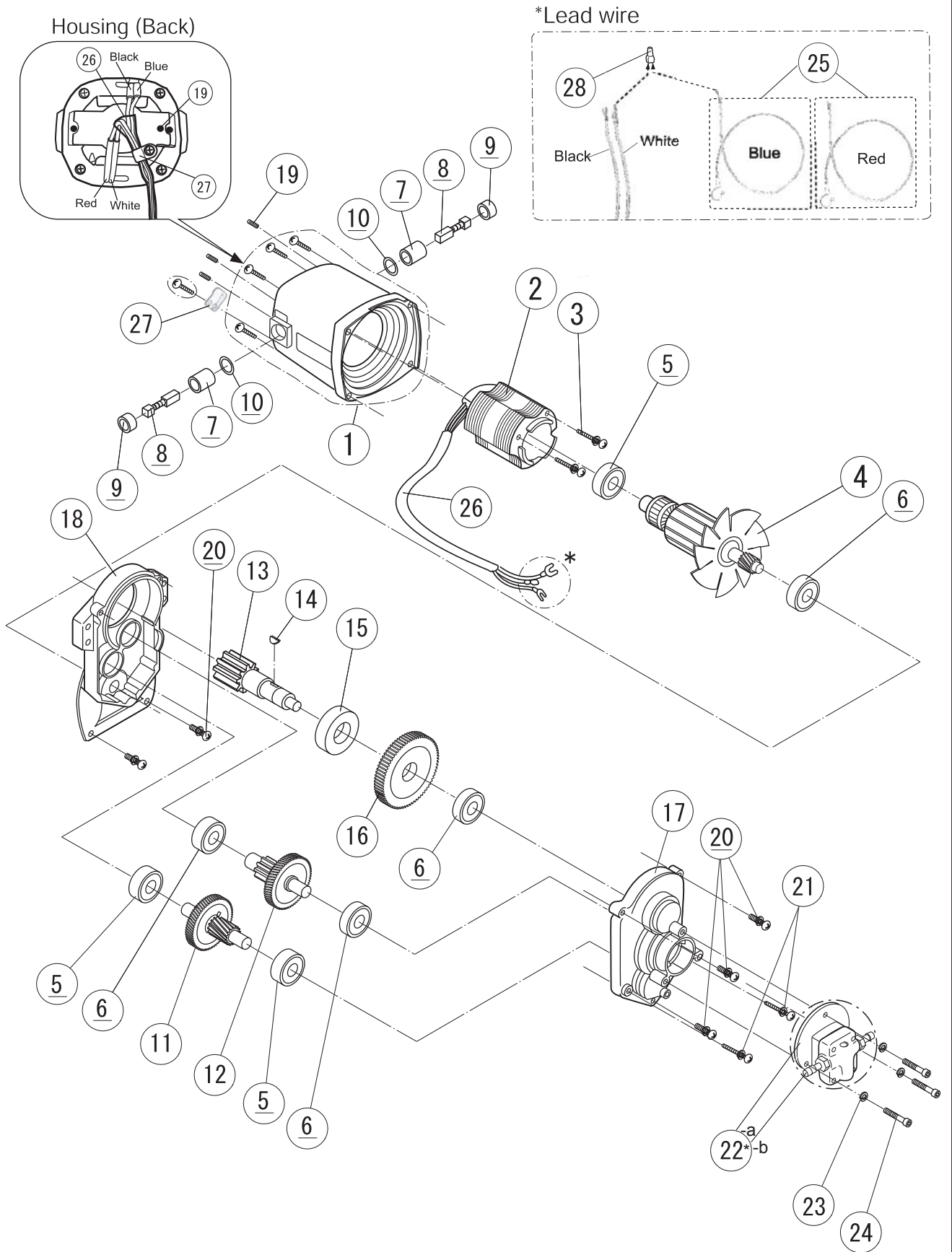
4. Cutter, Reamer



Page No.	Item No.	Page Title	CE	Part No.		Part Name	Q'ty	Interchangeable of N50A		G/W (Grms.)
				R50AV	P50AV			R50A	P50A	
4	1	4. CUTTER, REAMER		N602	N020	Cutter frame	1	Δ	○	1,903g
4	2-a	4. CUTTER, REAMER **Discontinued		N021		Cutter handle (with N022 feed screw)	1	○	○	527g
4	2-b	4. CUTTER, REAMER		PM43		Cutter handle (integrated with feed screw)	1	○	○	527g
4	3	4. CUTTER, REAMER		N603	4067	Cutter guide	1	Δ	○	472g
4	4	4. CUTTER, REAMER		135076		Cutter wheel	1	○	○	40g
4	5	4. CUTTER, REAMER		2471		Cutter pin S	1	○	○	20g
4	6	4. CUTTER, REAMER		WN12		Spring cotter (2.3x15)	3	○	○	1g
4	7	4. CUTTER, REAMER		9027		Cutter guide pin	1	○	○	22g
4	8	4. CUTTER, REAMER		9025		Spring	1	○	○	3g
4	9	4. CUTTER, REAMER		5074		Cutter roller	2	○	○	82g
4	10	4. CUTTER, REAMER		5079		Cutter pin L	2	○	○	26g
4	11	4. CUTTER, REAMER		N608	N023	Cutter arm	1	Δ	○	472g
4	12	4. CUTTER, REAMER		4072		Cutter frame stop pin	1	○	○	8g
4	13	4. CUTTER, REAMER		1076		Cutter arm stop pin	1	○	○	63g
4	15	4. CUTTER, REAMER		0NCNPS	0NCUPS	Complete cutter (0NCUPS:No. 1-3, 7-8+0NCNPS: 5-6+9-12)	1	Δ	○	3,652g
4	21	4. CUTTER, REAMER		N605	PMK5	Reamer arm	1	Δ	○	530g
4	22	4. CUTTER, REAMER		5096		Spring	1	○	○	1g
4	23	4. CUTTER, REAMER		WQ08		Steel ball (8mm)	1	○	○	2g
4	24	4. CUTTER, REAMER		N027		Reamer shaft with knob	1	○	○	527g
4	25	4. CUTTER, REAMER		WL86		Roll pin (8x35)	1	○	○	8g
4	26	4. CUTTER, REAMER		WL57		Roll pin (5x35)	1	○	○	5g
4	27	4. CUTTER, REAMER		PM38		Reamer cone	1	○	○	291g
4	28	4. CUTTER, REAMER		WL87		Roll pin (8x45)	1	○	○	3g
4	29	4. CUTTER, REAMER		1096		Reamer pin	1	○	○	19g
4	30	4. CUTTER, REAMER		WL59		Roll pin (5x45)	1	○	○	2g
4	31	4. CUTTER, REAMER		0NRMRS	0NRMPS	Complete reamer	1	Δ	○	1,667g

R50A(V)/P50A(V)

5. Motor, Pump



Page No.	Item No.	Page Title	CE	Part No.		Part Name	Q'ty	Interchangeable of N50A		G/W (Grms.)
				R50AV	P50AV			R50A	P50A	
5	1	5. MOTOR, PUMP **Discontinued		NM25		Housing (with Round head machine screw M5x8(5pcs) & M4x8(1pc: for Nylon clip (No.27)))	1	○	○	600g
5	2	5. MOTOR, PUMP **Discontinued		NM08		Stator Assembly 220v	1	○	○	1,000g
5	3	5. MOTOR, PUMP		W25A + WG06		Round head machine screw (with spring washer M6) (M5x60)	2	○	○	10g
5	4	5. MOTOR, PUMP **Discontinued		NM04		Armature Assembly (First gear) 220v	1	○	○	950g
5	5	5. MOTOR, PUMP		S701		Bearing (6200ZZ)	3	○	○	1g
5	6	5. MOTOR, PUMP		I202		Bearing (6201ZZ)	4	○	○	1g
5	7	5. MOTOR, PUMP **Discontinued		NM16		Carbon brush holder	2	○	○	29g
5	8	5. MOTOR, PUMP		NM10		Carbon brush (auto-stop) (2pcs/set)	1set	○	○	16g
5	9	5. MOTOR, PUMP		NM17		Carbon brush cap	2	○	○	3g
5	10	5. MOTOR, PUMP		NM15		Stop plate	2	○	○	2g
5	11	5. MOTOR, PUMP **Discontinued		NM20		Second pinion gear set	1	○	○	250g
5	12	5. MOTOR, PUMP **Discontinued		NM22		Third pinion gear set	1	○	○	300g
5	13	5. MOTOR, PUMP **Discontinued		NM24		Spindle (Fourth pinion)	1	○	○	331g
5	14	5. MOTOR, PUMP		FM46		Woodruff key (4x16)	1	○	○	1g
5	15	5. MOTOR, PUMP		7M30		Bearing (6304ZZ)	1	○	○	1g
5	16	5. MOTOR, PUMP		NM23		Third gear	1	○	○	505g
5	17	5. MOTOR, PUMP **Discontinued		NM26		Gear cover	1	○	○	494g
5	18	5. MOTOR, PUMP **Discontinued		NM28		Inner cover	1	○	○	250g
5	19	5. MOTOR, PUMP		W730		Socket head set screw (Cup point) (M3x6)	3	○	○	1g
5	20	5. MOTOR, PUMP		W255 + WG06		Round head machine screw (with spring washer M6) (M5x25)	5	○	○	92g
5	21	5. MOTOR, PUMP		W25B + WG06		Round head machine screw (with spring washer) (M5x65)	2	○	○	10g
5	22*-a	5. MOTOR, PUMP		9010*		Gear pump* with joint (1035) *Complete set can be supplied	1	○	○	660g
5	22*-b	5. MOTOR, PUMP		1035*		Joint	2	○	○	5g
5	23	5. MOTOR, PUMP		WG06		Spring washer (6mm)	3	○	○	6g
5	24	5. MOTOR, PUMP		W062		Socket head cap screw (M6x16)	3	○	○	8g
5	25	5. MOTOR, PUMP		NM14		Internal wire set (Red & Blue)	1set	○	○	4g
5		5. MOTOR, PUMP				(Red: To Switch / Blue : with white wire to Stator)	1	○	○	2g
5	26	5. MOTOR, PUMP		-		Plastic tube	1	○	○	3g
5	27	5. MOTOR, PUMP		-		Nylon clip (NK-4N)	1	○	○	1g
5	28	5. MOTOR, PUMP		-		Insulation cap (for Blue & white internal wire)	1	○	○	1g

REX

REX INDUSTRIES CO., LTD.

Overseas Sales Section & Factory :

1-9-3, Hishiya-Higashi, Higashi-Osaka 578-0948 Japan
Tel. +81-(0)72-961-9820 Fax +81-(0)72-961-9878
URL : www.rexind.co.jp

Specifications, colour, etc. may be changed without prior notification.

PL - CE5
R50A / P50A
2109R 0000