

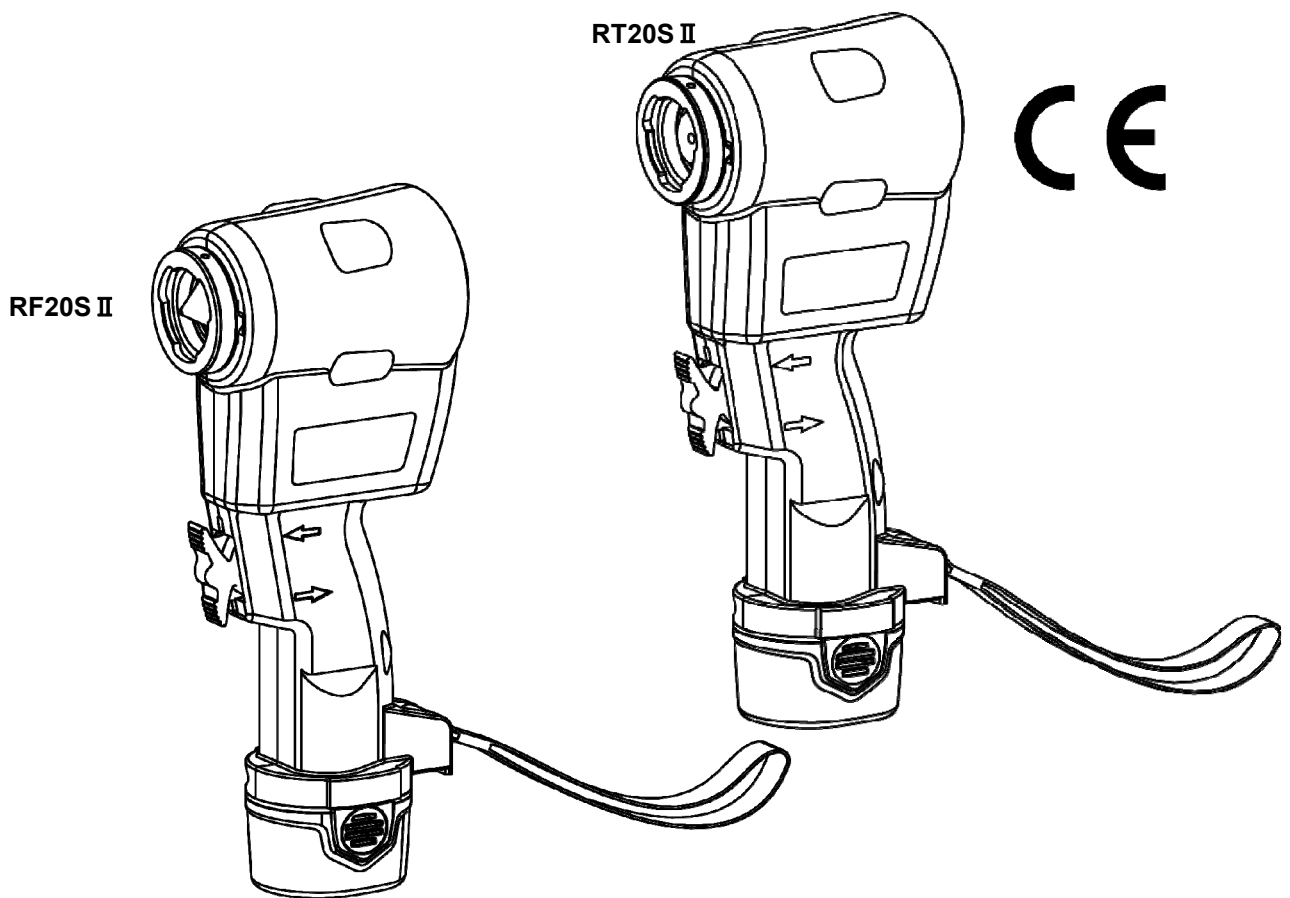
COPPER TUBE TOOL  
**CORDLESS FLARE**

**RF20S II**

STAINLESS FLEXIBLE TUBE TOOL  
**CORDLESS FLANGE**

**RT20S II**

# PARTS LIST



## CONTENTS

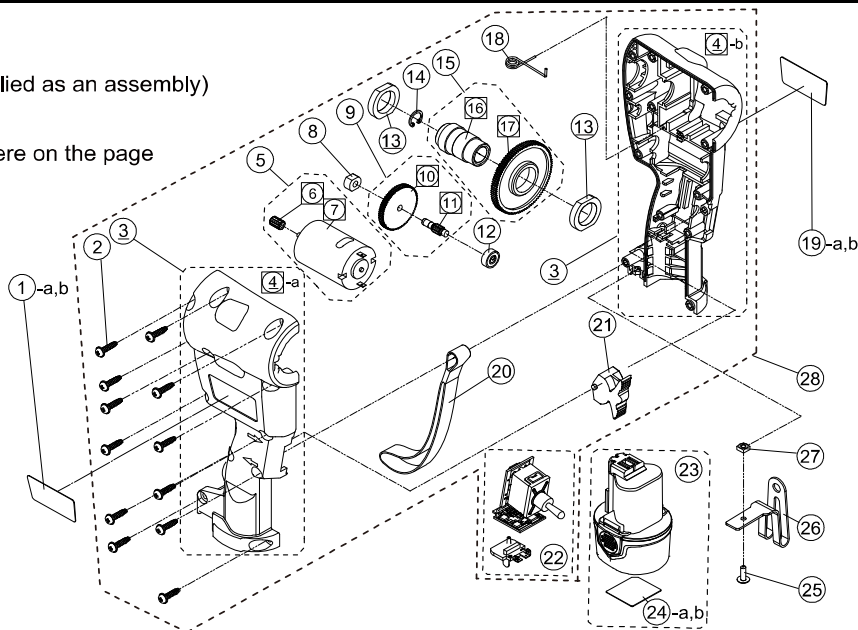
1. Main Unit and Battery
2. Flaring Device Unit
3. Clamp
4. Charger and Case

# 1. Main Unit and Battery (Cordless Flare RF20S II / Cordless Flange RT20S II)

## Notes :

□ Not supplied separately (supplied as an assembly)

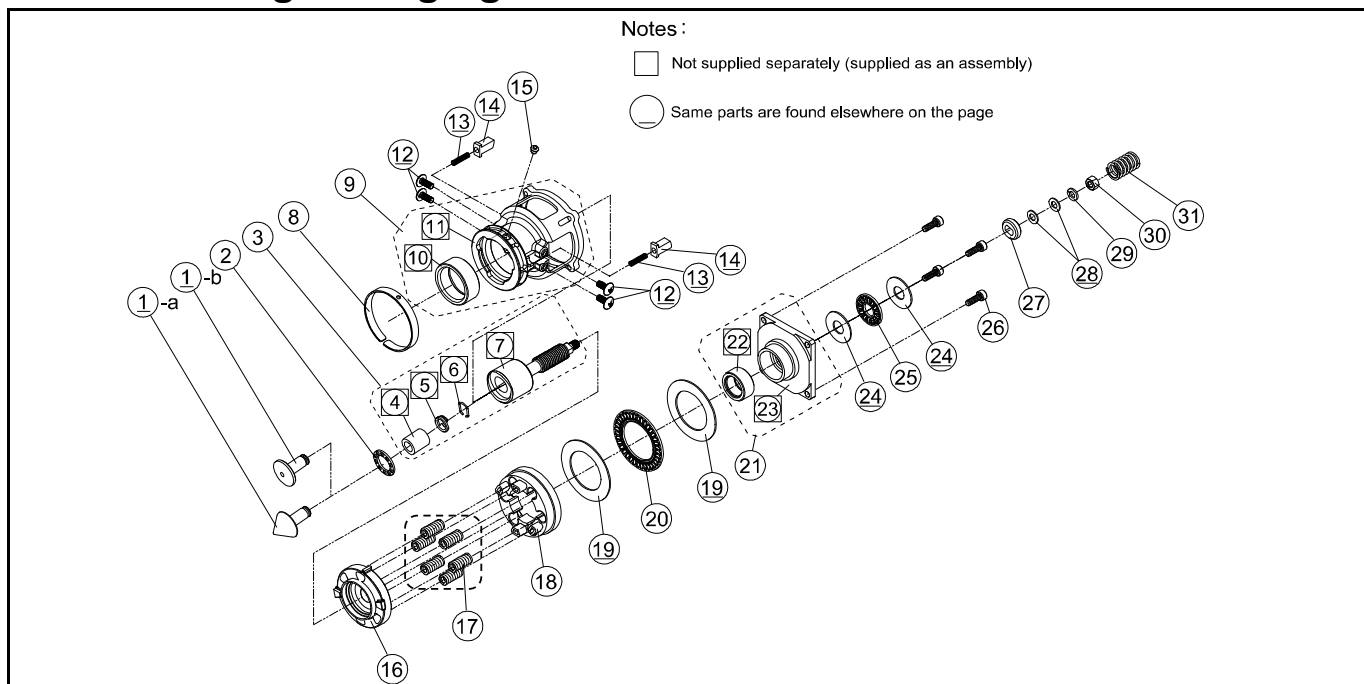
○ Same parts are found elsewhere on the page



2023/12/26

Item No.	Part No.	Part Name	Q'ty	Remarks
1-a	9V39	RF20SII Number Sticker "REX" English CE	1	not for sale
1-b	9V44	RT20SII Number Sticker "REX" English CE	1	not for sale
2	DF46	Tapping Screw $\phi 4 \times 15$	12	
3	DG30S	RF/ RT20SII Housing A + B set	1 set	No.4-a & b
4-a	DG30	RF/ RT20SII Housing A	1	to be supplied as a set No.3: DG30S
4-b	DG31	RF/ RT20SII Housing B	1	
5	DG45S	RF/ RT20SII Motor and First Pinion set	1 set	No.6 & 7
6	DG45	RF/ RT20SII First Pinion	1	to be supplied as a set No.5: DG45S
7	DG15	RF/ RT20SII Motor	1	
8	DG49	Metal A	1	
9	DG46S	RF/ RT20SII First Gear and Second Pinion set	1 set	No.10 & 11
10	DG46	RF/ RT20SII First Gear	1	to be supplied as a set No.9: DG46S
11	DG47	RF/ RT20SII Second Pinion	1	
12	DF44	Bearing (Z605)	1	
13	DG50	Metal B	2	
14	WWA0	Retaining ring (13mm)	1	
15	DG48S	RF/ RT20SII Second Gear and Spline Holder set	1 set	No.16 & 17
16	DG38	Spline Holder	1	to be supplied as a set No.15: DG48S
17	DG48	RF/ RT20SII Second Gear	1	
18	DG44	Torsion spring	1	
19-a	9V40	Name Sticker "REX"	1	not for sale
19-b	9V45	Name Sticker "REX"	1	not for sale
20	DF40	Strap	1	
21	DG52	Switch cover	1	
22	DG27	RF/ RT20SII R/L Switch unit	1 set	
23	-	Li-ion Battery Pack / 10.8V,2000mAh 100V-240V(Included Sticker; No.25-a or b)	1 set	See the Product List
24-a	9V35	Li-ion Battery Sticker Japanese	1	not for sale
24-b	9V36	Li-ion Battery Sticker English	1	not for sale
25	W544	Cross-recessed head truss screw (M4 $\times$ 10)	1	
26	424890	RF/RT20SII Hook	1	See the Product List
27	WC22	Square nut (M4 7 $\times$ 7 $\times$ 3.2t)	1	
28	DG28	RF/ RT20SII Main Unit	1 set	

## 2. Flaring / Flanging Device Unit (Cordless Flare RF20S II / Cordless Flange RT20S II)




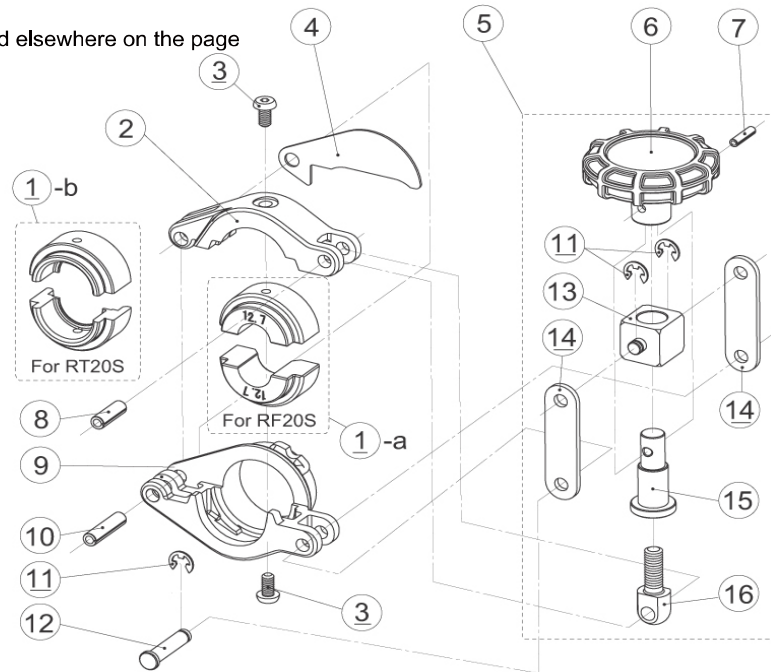
2023/12/26

Item No.	Part No.	Part Name	Q'ty	Remarks
1-a	DF14	Flare Cone	1	
1-b	DB30	Flange Cone	1	
2	DA32	Thrust Bearing	1	
3	DG34S	Main Shaft Set	1 set	No. 4-7 / set
4	DF23	Needle bearing (SCE59A)*	1	to be supplied as a set No. 3
5	DA05	Spring Holder*	1	to be supplied as a set No. 3
6	DA04	Cone Spring*	1	to be supplied as a set No. 3
7	DG34	Main Shaft*	1	to be supplied as a set No. 3
8	DF16	Clamp Notch Spring	1	
9	DG32S	Flare Holder Set	1 set	No. 10 & 11 / set
10	DF22	Needle Bearing (HK2512C)*	1	to be supplied as a set No. 9
11	DG32	Flare Holder*	1	to be supplied as a set No. 9
12	W546	Truss screw (M4×8)	4	Cross-recessed head
13	DF13	Clutch Pin Spring	2	
14	DF08	Clutch Pin	2	
15	DF15	Clamp Notch	1	
16	DG33	Clutch Flange	1	
17	DG35	Pressure Spring Set	1 set	6pcs / set
18	DG37	Pressure Spring Support	1	
19	DG41	Thrust Washer (AS1106)	2	
20	DG40	Thrust Needle Bearing (AXK1106)	1	
21	DG36S	Pressure Spring Holder Set	1 set	No. 22 & 23 / set
22	DG39	Needle bearing (HMK1510)*	1	to be supplied as a set No. 21
23	DG36	Pressure Spring Holder*	1	to be supplied as a set No. 21
24	DF25	Thrust Washer (AS1100)	2	
25	DF24	Thrust Needle Bearing (AXK1100)	1	
26	W043	Socket head cap screw (M4×12)	4	
27	DG42	Spline	1	
28	WI09	Flat Washer (5×10×0.8)	2	
29	WG05	Spring Washer (M5)	1	
30	WC05	Hex nut (M5)	1	
31	DG43	Wire Spring	1	

### 3. Clamp (Cordless Flare RF20S II / Cordless Flange RT20S II)

Notes:

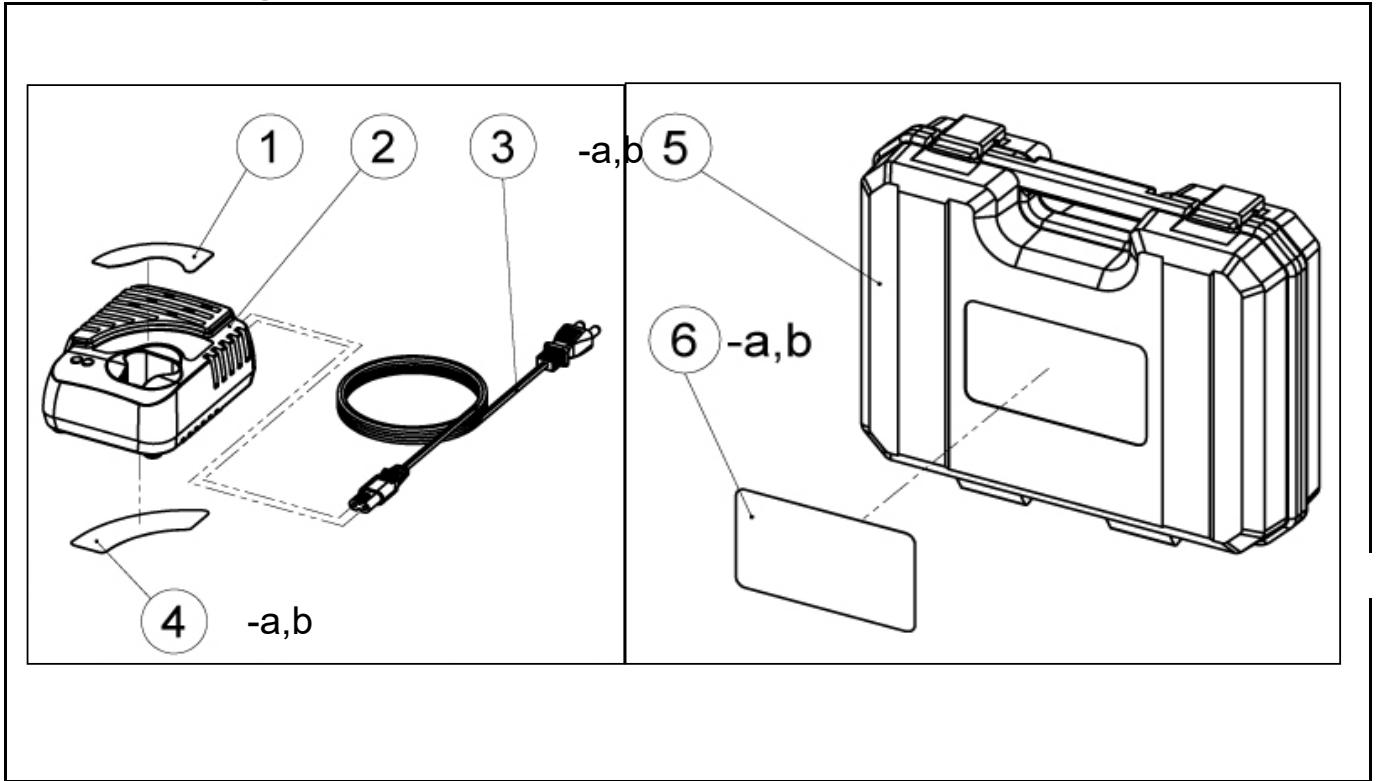
 Same parts are found elsewhere on the page



2023/12/26

Item No.	Part No.	Part Name	Q'ty	Remarks
1-a-1	DA9A	Liner ¼" (6.35mm)	2	424850 / RF20SII only
1-a-2	DA9B	Liner ⅜" (9.52mm)	2	424852 / RF20SII only
1-a-3	DA9C	Liner ½" (12.7 mm)	2	424853 / RF20SII only
1-a-4	DA9D	Liner ⅝" (15.88mm)	2	424854 / RF20SII only
1-a-5	DA9E	Liner ¾" (19.05mm)	2	424855 / RF20SII only
1-b-1	DB02	Liner ½" (M-13, 16.8) for Stainless Flexible Pipe	2	424777 / RT20SII only
1-b-2	DB03	Liner ¾" (M-15, 20.0) for Stainless Flexible Pipe	2	424778 / RT20SII only
2	DF52	Clamp B	1	
3	W04E	Socket Button Head Cap Screw (M4×8)	2	
4	DF53	Stopper Plate	1	RF20SII only
5	DF60	Toggle Set	1 set	
6	DF59	Knob	1	
7	WL34	Spring Pin (φ3×12)	1	
8	WL5C	Spring Pin (φ5×15)	1	
9	DF51	Clamp A	1	
10	WL54	Spring Pin (φ5×20)	1	
11	WY04	Retaining Ring E-type (Size 4)	3	
12	DF57	Clamp Pin	1	
13	DF56	Hinge Block	1	
14	DF58	Clamp Link	2	
15	DF55	Clamp Bolt Holder	1	
16	DF54	Clamp Bolt	1	

#### 4. Charger and Case (Cordless Flare RF20S II / Cordless Flange RT20S II )



2023/12/26

Item No.	Part No.	Part Name	Q'ty	Remarks
1	DG17	Sticker for Li-ion Battery Charger 220V	1	
2	DG03	Charger for Li-ion Battery 220V	1 set	424985: No.1&4 Include
3-a	DG05	Power Cord 100V	1	
3-b	DG06	Power Cord 220V	1	
4-a	DG18	Rev side Sticker for Battery Charger (JPN)	1	
4-b	6V66	Rev side Sticker for Battery Charger (English)	1	
5	DG29	RF20SII /RT20SII Carrying Case	1 set	424959: No.6-a Include/424984 :No.6-b Include
6-a	9V38	RF20SII Carrying Case Sticker "Rex"	1	424959 / RF20SII only
6-b	9V43	RT20SII Carrying Case Sticker "Rex"	1	424984 / RT20SII only
-	9V30	Charger Operation Manual English	1	
-	9V81	RF20SII /RT20SII Operation Manual English	1	