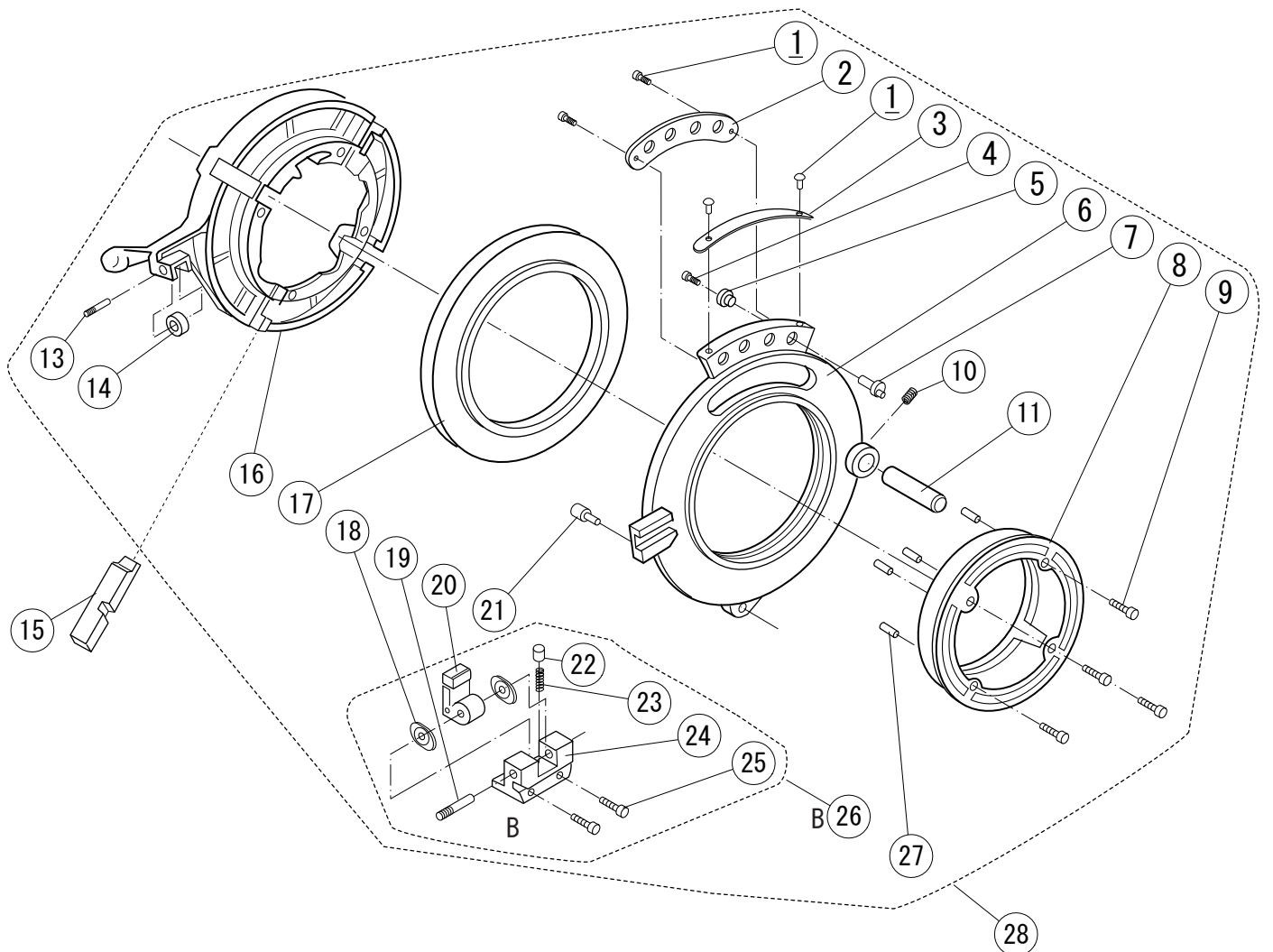


# Profiling Die Head 100A (2 1/2 - 4")

293040 : BSPT 2 1/2 - 4"

293050 : NPT 2 1/2 - 4"



## PfdH100A\_exp110306

## Profiling Die Head 100A (2.1/2-4")

2011/3/6

Page No.	Exp. No.	Page Title	Parts No.	Parts Name	Spec.	Q'ty	Remarks
9	1	Profiling Die Head 100A	WN34	Rivet	4x5	4	
9	2	Profiling Die Head 100A	J078	Adjustment Plate	BSPT 2.1/2-4	1	for 293040
9	2	Profiling Die Head 100A	J101	Adjustment Plate	NPT 2.1/2-4	1	for 293050
9	3	Profiling Die Head 100A	J079	Die Head Size Plate	BSPT 2.1/2-4	1	for 293040
9	3	Profiling Die Head 100A	J102	Die Head Size Plate	NPT 2.1/2-4	1	for 293050
9	4	Profiling Die Head 100A	W060	Hex Socket Head Cap Screw	M6x10	4	
9	5	Profiling Die Head 100A	7693	Size Adjustment Knob		4	
9	6	Profiling Die Head 100A	J066	Die Head Receiver Plate	BSPT 2.1/2-4	1	for 293040
9	6	Profiling Die Head 100A	J100	Die Head Receiver Plate	NPT 2.1/2-4	1	for 293050
9	7	Profiling Die Head 100A	7692	Crank Pin		4	
9	8	Profiling Die Head 100A	J068	Retaining Ring		1	
9	9	Profiling Die Head 100A	W067	Hex Socket Head Cap Screw	M6x40	4	
9	10	Profiling Die Head 100A	W661	Hex-Socket Set Screw	M6x6 cone point	1	
9	11	Profiling Die Head 100A	J076	Die Head Post		1	
9	13	Profiling Die Head 100A	3412	Die Head Roller Pin		1	
9	14	Profiling Die Head 100A	T008	Die Head Roller		1	
9	15	Profiling Die Head 100A	-	Dies	various	1set	see Product List
9	16	Profiling Die Head 100A	J065	Die Head Body	Profiling2.1/2-4 BSPT	1	for 293040
9	16	Profiling Die Head 100A	J103	Die Head Body	Profiling2.1/2-4 NPT	1	for 293050
9	17	Profiling Die Head 100A	J067	Cam Plate		1	
9	18	Profiling Die Head 100A	7743	Size Adjustment Plate		2	
9	19	Profiling Die Head 100A	7742	Retaining Pin		1	
9	20	Profiling Die Head 100A	7690	Size Setting Lever		1	
9	21	Profiling Die Head 100A	J077	Die Head Position Pin		1	
9	22	Profiling Die Head 100A	7790	Notch Pin		1	
9	23	Profiling Die Head 100A	7752	Spring	Φ5x12	1	
9	24	Profiling Die Head 100A	J073	Size Setting Lever Holder		1	
9	25	Profiling Die Head 100A	W082	Hex Socket Head Cap Screw	M8x20	2	
9	26	Profiling Die Head 100A	-	Size Setting Lever Holder Set		1set	B:No.18-20,22-25 as set
9	27	Profiling Die Head 100A	G860	Die Notch		4	
9	28	Profiling Die Head 100A	MP31DH	Complete Profiling Die Head	BSPT 2.1/2-4	1 pc.	see Product List 293040, without dies
9	28	Profiling Die Head 100A	MP32DH	Complete Profiling Die Head	NPT 2.1/2-4	1 pc.	see Product List 293050, without dies