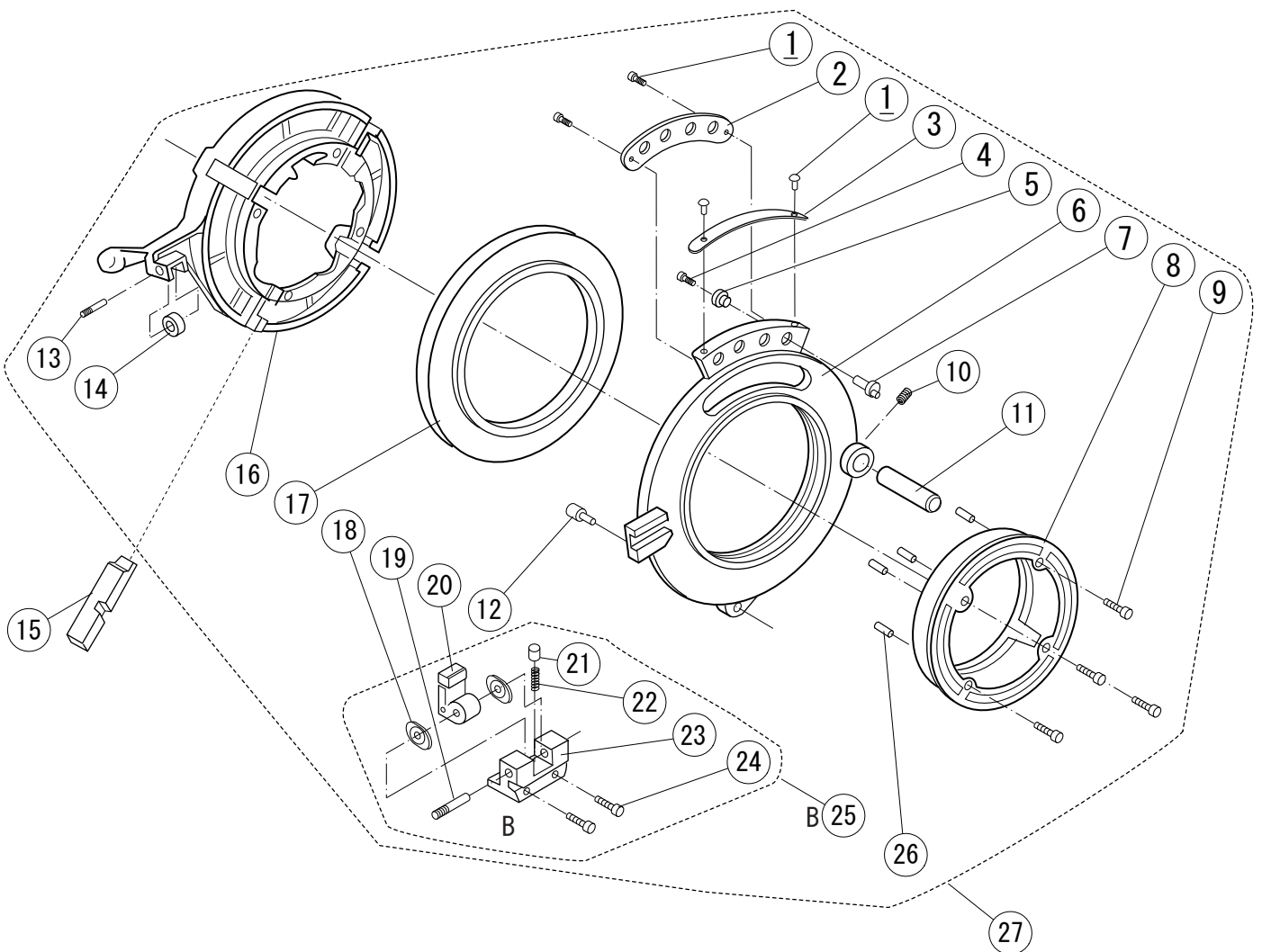


# Profiling Die Head for 150A (2 1/2 - 4")

291045 : BSPT 2 1/2 - 4"

293055 : NPT 2 1/2 - 4"



Exp. No.	Page Title	Part No.	Part Name	Spec.	Set	Remarks
1	Profiling Die Head 150A	WN34	Rivet	#4x5	4	
2	Profiling Die Head 150A	E614	Adjustment plate (2.1/2" - 4")	BSPT : 291045	1	
2	Profiling Die Head 150A	E617	Adjustment plate (2.1/2" - 4")	NPT : 293055	1	
3	Profiling Die Head 150A	E613	Die-head size plate (2.1/2" - 4")	BSPT : 291045	1	
3	Profiling Die Head 150A	E616	Die-head size plate (2.1/2" - 4")	NPT : 293055	1	
4	Profiling Die Head 150A	W060	Socket head cap screw	M6x10	4	
5	Profiling Die Head 150A	7693	Size adjustment knob		4	
6	Profiling Die Head 150A	E612	Die-head receiver plate (2.1/2" - 4") set (A160 Die-head post , plug , Hex-socket set screw)	BSPT : 291045	1	
6	Profiling Die Head 150A	E615	Die-head receiver plate (2.1/2" - 4") set (A160 Die-head post , plug , Hex-socket set screw)	NPT : 293055	1	
7	Profiling Die Head 150A	7692	Crank pin		4	
8	Profiling Die Head 150A	J068	Retaining ring (2.1/2" - 4")		1	
9	Profiling Die Head 150A	W067	Socket head cap screw	M6x40	4	
10	Profiling Die Head 150A	W661	Hex-socket set screw	M6x6, cone point	1	
11	Profiling Die Head 150A	A160	Die head post		1	
12	Profiling Die Head 150A	J077	Die-head position pin		1	
13	Profiling Die Head 150A	3412	Die-head roller pin		1	
14	Profiling Die Head 150A	T008	Die-head roller		1	
15	Profiling Die Head 150A	162460	Dies -varius- (2.1/2" - 4")	BSPT : 291045	1set	see Product List
15	Profiling Die Head 150A	162360	Dies -varius- (2.1/2" - 4")	NPT : 293055	1set	see Product List
16	Profiling Die Head 150A	E611	Die-head body (2.1/2" - 4")		1	
17	Profiling Die Head 150A	J067	Cam plate (2.1/2" - 4")		1	
18	Profiling Die Head 150A	7743	Size adjustment plate		2	
19	Profiling Die Head 150A	7742	Retaining pin		1	
20	Profiling Die Head 150A	7690	Size setting lever		1	
21	Profiling Die Head 150A	7790	Notch pin		1	
22	Profiling Die Head 150A	7752	Spring		1	
23	Profiling Die Head 150A	J073	Size setting lever holder		1	
24	Profiling Die Head 150A	W082	Socket head cap screw	M8x20	2	
25	Profiling Die Head 150A	-	Size setting lever holder set	No.18-24 as set	1set	
26	Profiling Die Head 150A	G860	Dies notch		4	
27	Profiling Die Head 150A	291045	Complete Die-head (2.1/2" - 4")	BSPT : 291045	1set	see Product List
27	Profiling Die Head 150A	293055	Complete Die-head (2.1/2" - 4")	NPT : 293055	1set	see Product List