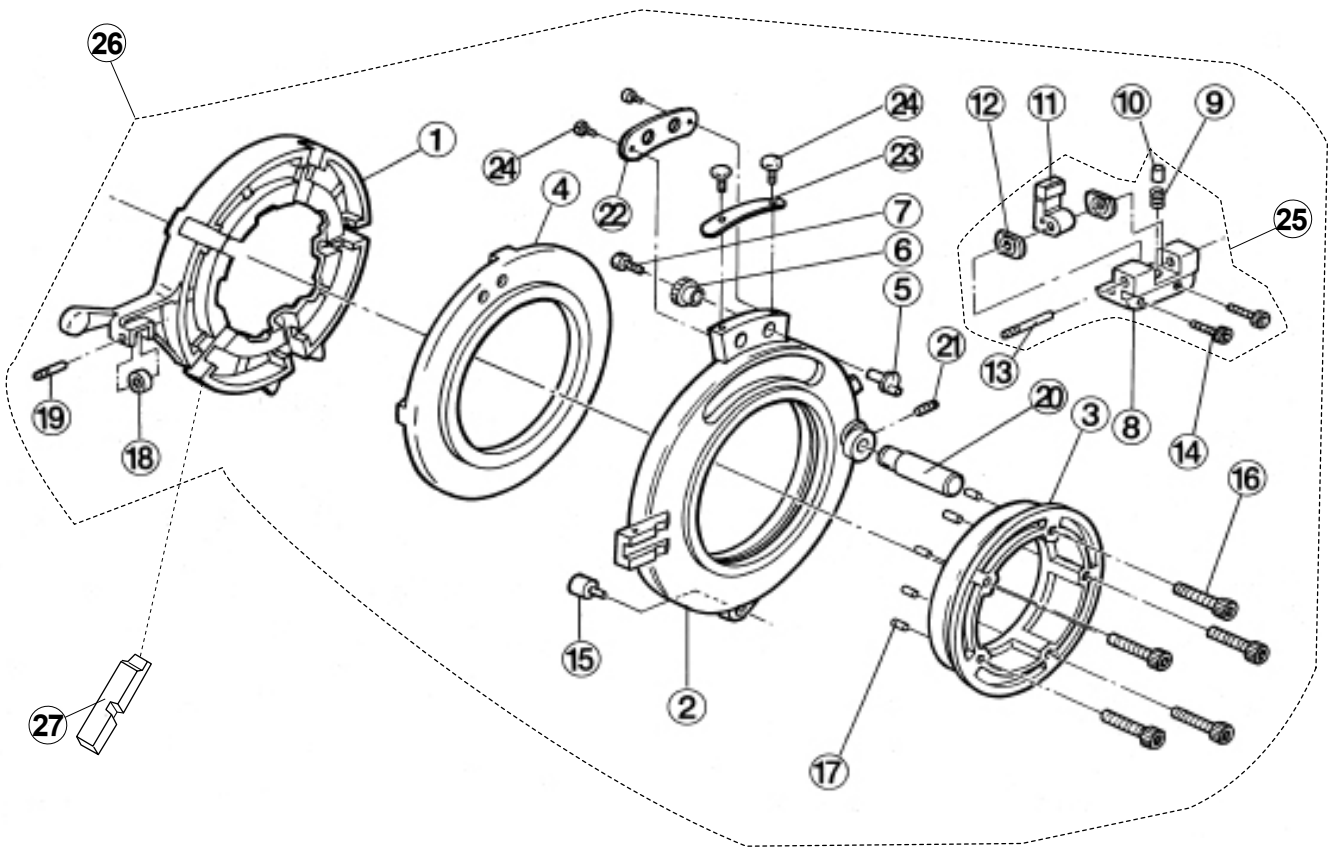


Profiling Die Head for 150A

291065 : BSPT 5" - 6"

293057 : NPT 5" - 6"



Exp. No.	Page Title	Part No.	Part Name	Spec.	Set	Remarks
1	Profiling Die Head 150A (5"-6")	E601	Die-head body (5"-6")		1	
2	Profiling Die Head 150A (5"-6")	E602	Die-head receiver plate (5"-6") set (A160 Die-head post , plug , Hex-socket set screw)	BSPT : 291065	1	
2	Profiling Die Head 150A (5"-6")	E608	Die-head receiver plate (5"-6") set (A160 Die-head post , plug , Hex-socket set screw)	NPT : 293057	1	
3	Profiling Die Head 150A (5"-6")	E604	Retaining ring (5"-6")		1	
4	Profiling Die Head 150A (5"-6")	E603	Cam plate (5"-6")		1	
5	Profiling Die Head 150A (5"-6")	7692	Crank pin		2	
6	Profiling Die Head 150A (5"-6")	7693	Size adjustment knob		2	
7	Profiling Die Head 150A (5"-6")	W060	Socket head cap screw	M6x10	1	
8	Profiling Die Head 150A (5"-6")	J073	Size setting lever holder		1	
9	Profiling Die Head 150A (5"-6")	7752	Spring		1	
10	Profiling Die Head 150A (5"-6")	7790	Notch pin		1	
11	Profiling Die Head 150A (5"-6")	7690	Size setting lever		1	
12	Profiling Die Head 150A (5"-6")	7743	Size adjustment plate		2	
13	Profiling Die Head 150A (5"-6")	7742	Retaining pin		1	
14	Profiling Die Head 150A (5"-6")	W082	Socket head cap screw	M8x20	2	
15	Profiling Die Head 150A (5"-6")	J077	Die-head position pin		2	
16	Profiling Die Head 150A (5"-6")	W067	Socket head cap screw	M6x40	5	
17	Profiling Die Head 150A (5"-6")	G860	Dies notch		5	
18	Profiling Die Head 150A (5"-6")	T008	Die-head roller		2	
19	Profiling Die Head 150A (5"-6")	3412	Die-head roller pin		2	
20	Profiling Die Head 150A (5"-6")	A160	Die head post		1	
21	Profiling Die Head 150A (5"-6")	W661	Hex-socket set screw	M6x6, cone point	1	
22	Profiling Die Head 150A (5"-6")	E607	Adjustment plate (5"-6")	BSPT : 291065	1	
22	Profiling Die Head 150A (5"-6")	E610	Adjustment plate (5"-6")	NPT : 293057	1	
23	Profiling Die Head 150A (5"-6")	E606	Die-head size plate (5"-6")	BSPT : 291065	1	
23	Profiling Die Head 150A (5"-6")	E609	Die-head size plate (5"-6")	NPT : 293057	1	
24	Profiling Die Head 150A (5"-6")	WN34	Rivet	#4x5	4	
25	Profiling Die Head 150A (5"-6")	-	Size Setting Lever Holder Set		1set	No.8-14 as set
26	Profiling Die Head 150A (5"-6")	291065	Complete Die-head (5"-6")	BSPT : 291065	1set	see Product List, without dies
26	Profiling Die Head 150A (5"-6")	293057	Complete Die-head (5"-6")	NPT : 293057	1set	see Product List, without dies
27	Profiling Die Head 150A (5"-6")	162470	Dies (5"-6") various	BSPT : 291065	1set	see Product List
27	Profiling Die Head 150A (5"-6")	162370	Dies (5"-6") various	NPT : 293057	1set	see Product List