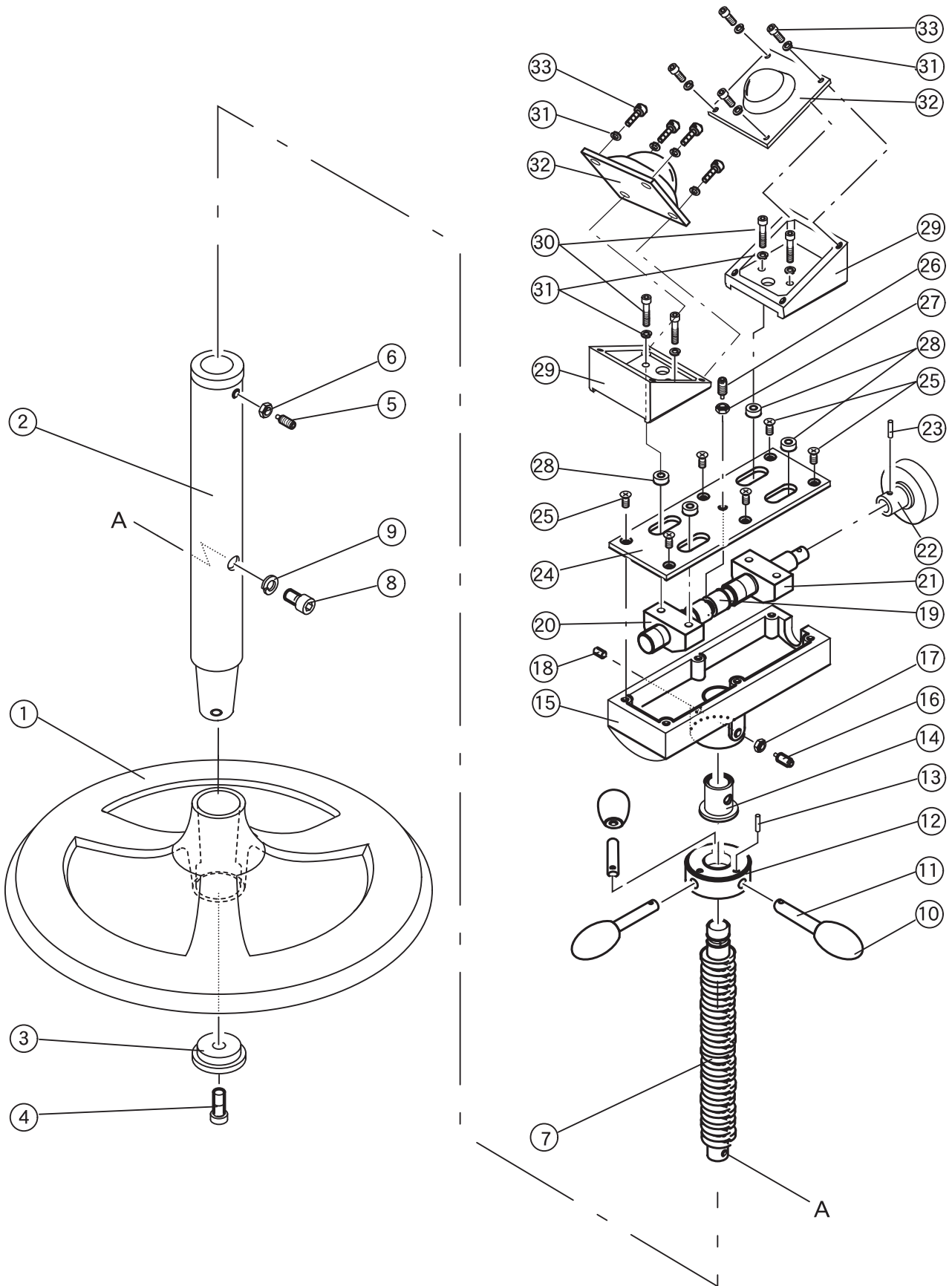


LG150A PIPE SUPPORT 25A - 150A



REX

LG150DX PIPE SUPPORT 25A-150A

No.	Parts No.	Parts Name.		Set	Remarks
1	HS05	Pipe support base	(Black)	1	Old No.:HS02(Gray)
2	RJ85	Pole		1	
3	RJ89	Washer		1	
4	W003	Socket head cap screw	(dog point, M10x30)	1	
5	W882	Socket set screw	(dog point, M8x20)	1	*Same part : No.26
6	WD08	Jam nut	(M8)	1	*Same part : No.17
7	RJ86	Screw shaft		1	
8	W061	Socket head cap screw	(M6x12)	1	
9	WG06	Spring washer	(6)	1	
10	RJ94	Oval grip		3	
11	RJ90	Handle shaft		3	
12	RJ88	Nut		1	
13	WL45	Spring pin	(4x18)	3	
14	RJ50	Support collar		1	
15	RJ80	Pipe support main body		1	
16	W887	Socket set screw	(dog point, M8x25)	1	
17	WD08	Jam nut	(M8)	1	*Same part : No.6
18	W682	Socket set screw	(cone point, M8x10)	1	
19	RJ87	Slide screw		1	
20	RJ82	Screw block R		1	
21	RJ83	Screw block L		1	
22	RJ92	Knob		1	
23	WL54	Spring pin	(5x20)	1	
24	RJ84	Main plate		1	
25	W360	Flat head machine screw	(M6x15)	6	
26	W882	Socket set screw	(dog point, M8x20)	1	*Same part : No.5
27	WC08	Hexagon nut	(M8)	1	
28	RJ91	Collar		4	
29	RJ81	Slide block		2	
30	W065	Socket head cap screw	(M6x30)	4	
31	WG06	Spring washer	(6)	12	
32	RJ93	Free bearing ball head		2	
33	W061	Socket head cap screw	(M6x12)	8	