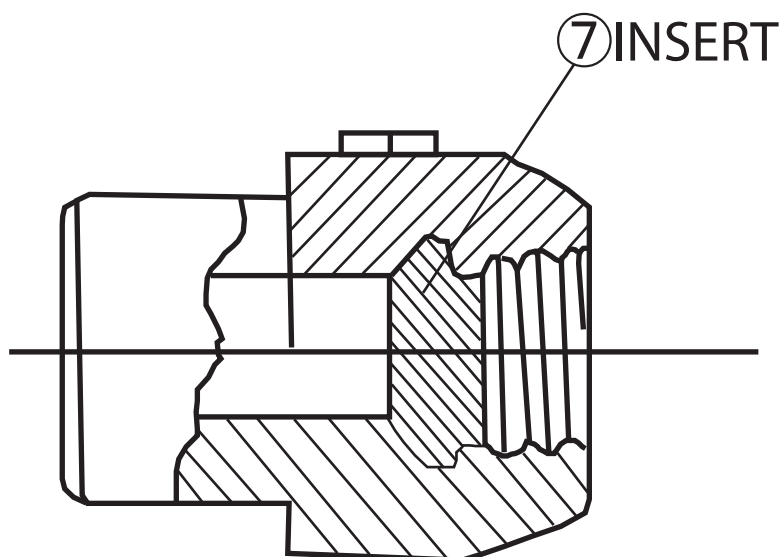
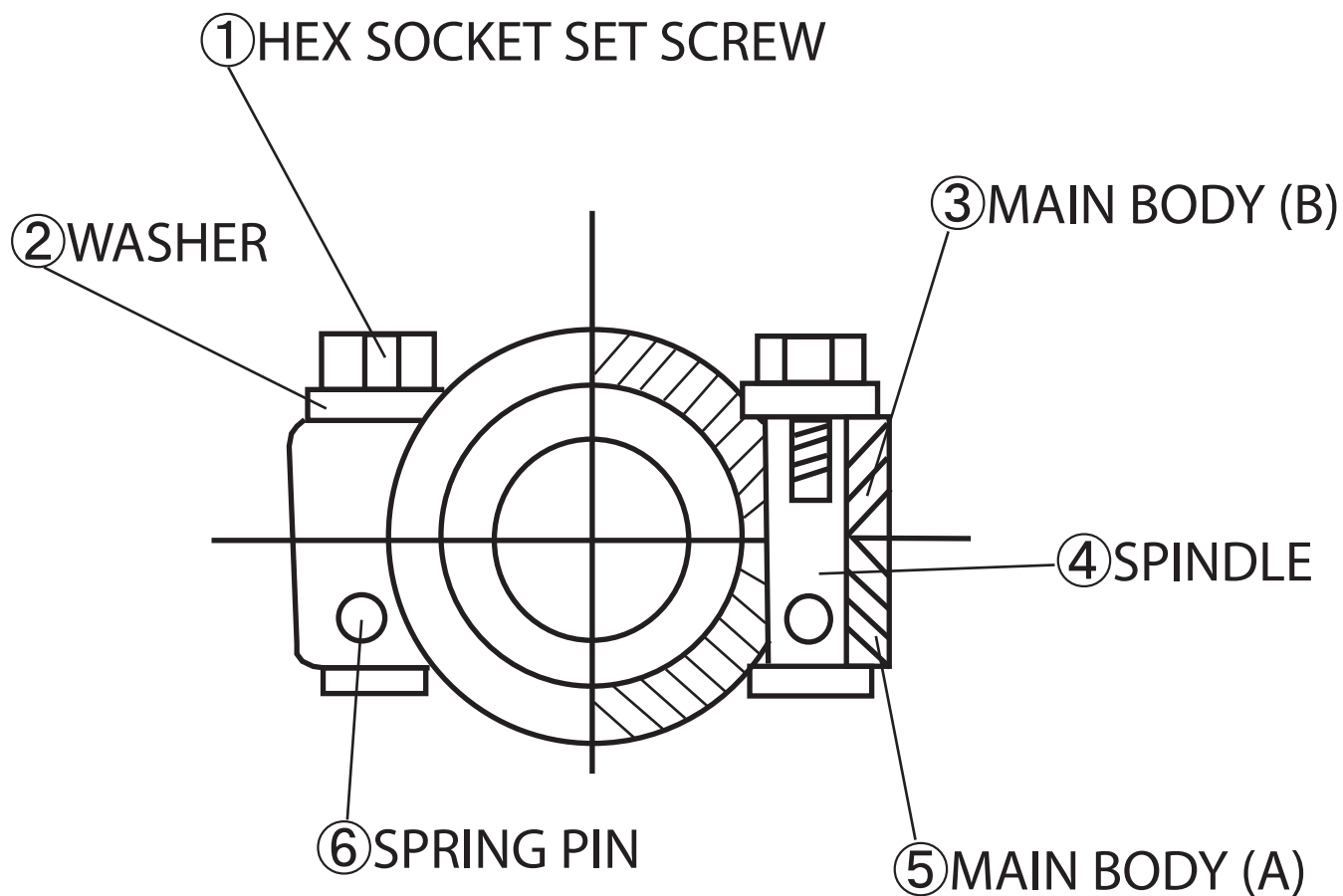


NIPPLE ATTACHMENT



REX

Page No.	Item No.	Page Title	Part No.	Part Name	Spec.	Q'ty	Remarks
1	1	1.Nipple Attachment	ON34	Hex Socket Screw	(M10 x 25)	2	
2	1	1.Nipple Attachment	ON35	Washer		2	
3	1	1.Nipple Attachment	ON37	Main Body (B)	1/2	1	
3	1	1.Nipple Attachment	ON39	Main Body (B)	3/4	1	
3	1	1.Nipple Attachment	ON40	Main Body (B)	1	1	
3	1	1.Nipple Attachment	ON41	Main Body (B)	1.1/4	1	
3	1	1.Nipple Attachment	ON42	Main Body (B)	1.1/2	1	
3	1	1.Nipple Attachment	ON43	Main Body (B)	2	1	
3	1	1.Nipple Attachment	ON44	Main Body (B)	2.1/2	1	
3	1	1.Nipple Attachment	ON45	Main Body (B)	3	1	
3	1	1.Nipple Attachment	ON46	Main Body (B)	3.1/2	1	
3	1	1.Nipple Attachment	ON47	Main Body (B)	4	1	
4	1	1.Nipple Attachment	ON11	Spindle	1/2 -1	1	
4	1	1.Nipple Attachment	ON12	Spindle	1.1/4 -2	1	
4	1	1.Nipple Attachment	ON13	Spindle	2.1/2 -3	1	
5	1	1.Nipple Attachment	ON24	Main Body (A)	1/2	1	
5	1	1.Nipple Attachment	ON25	Main Body (A)	3/4	1	
5	1	1.Nipple Attachment	ON26	Main Body (A)	1	1	
5	1	1.Nipple Attachment	ON27	Main Body (A)	1.1/4	1	
5	1	1.Nipple Attachment	ON28	Main Body (A)	1.1/2	1	
5	1	1.Nipple Attachment	ON29	Main Body (A)	2	1	
5	1	1.Nipple Attachment	ON30	Main Body (A)	2.1/2	1	
5	1	1.Nipple Attachment	ON31	Main Body (A)	3	1	
5	1	1.Nipple Attachment	ON32	Main Body (A)	3.1/2	1	
5	1	1.Nipple Attachment	ON33	Main Body (A)	4	1	
6	1	1.Nipple Attachment	#0013	Spring Pin		2	
7	1	1.Nipple Attachment	ON14	Insert	1/2	1	
7	1	1.Nipple Attachment	ON15	Insert	3/4	1	
7	1	1.Nipple Attachment	ON16	Insert	1	1	
7	1	1.Nipple Attachment	ON17	Insert	1.1/4	1	
7	1	1.Nipple Attachment	ON18	Insert	1.1/2	1	
7	1	1.Nipple Attachment	ON19	Insert	2	1	
7	1	1.Nipple Attachment	ON20	Insert	2.1/2	1	
7	1	1.Nipple Attachment	ON21	Insert	3	1	
7	1	1.Nipple Attachment	ON22	Insert	3.1/2	1	
7	1	1.Nipple Attachment	ON23	Insert	4	1	