

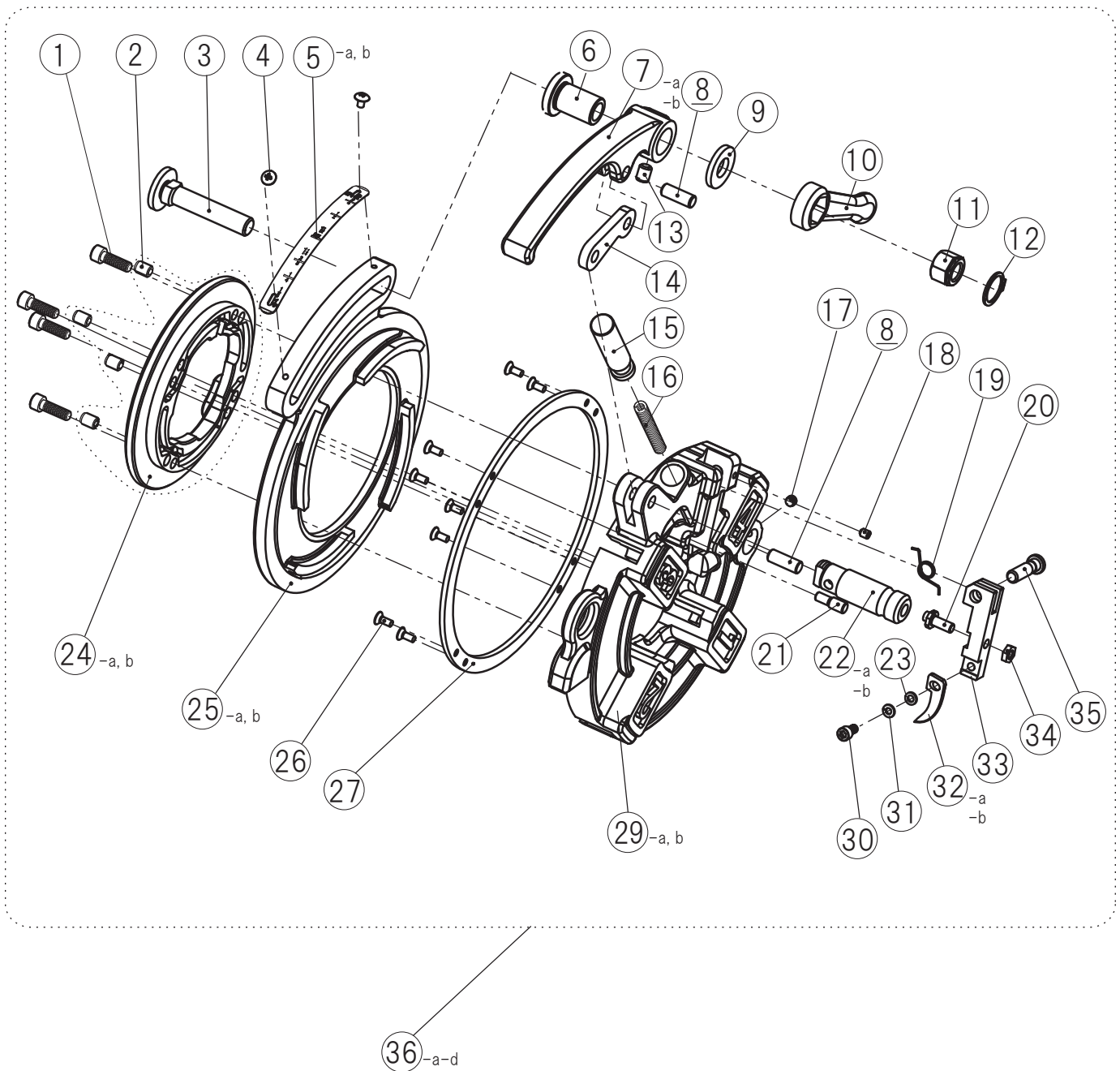
NV-auto Die Head 1/2 - 2"

P-type

292814 : BSPT 1/2 - 2"
292816 : NPT 1/2 - 2"

R-type

292804 : BSPT 1/2 - 2"
292802 : NPT 1/2 - 2"



171201

Item No.	Page Title	Part No.	Part Name	Spec.	Q'ty	Remarks
1	NV-auto DIE HEAD	W063	HEX SOCKET HEAD CAP SCREW	M6×20	4	
2	NV-auto DIE HEAD	G860	DIES NOTCH		4	
3	NV-auto DIE HEAD	NR76	CAM PLATE FIXING PIN		1	
4	NV-auto DIE HEAD	W240	ROUND HEAD MACHINE SCREW	M4× 5	2	
5-a	NV-auto DIE HEAD	NR56	SIZE PLATE (P-type)		1	Red
5-b	NV-auto DIE HEAD	NR86	SIZE PLATE (R-type)		1	Black
6	NV-auto DIE HEAD	NR77	BUSH		1	
7-a	NV-auto DIE HEAD	NR53	OPEN LEVER A (P-type)		1	Red
7-b	NV-auto DIE HEAD	NR72	OPEN LEVER A (R-type)		1	Black
8	NV-auto DIE HEAD	NR93	HINGE PIN		2	
9	NV-auto DIE HEAD	NR80	WASHER		1	
10	NV-auto DIE HEAD	NR73	LEVER NUT		1	
11	NV-auto DIE HEAD	NR79	NUT		1	
12	NV-auto DIE HEAD	WW19C	SNAP RING 19 (Outside Φ 17.5)	T=1.2	1	
13	NV-auto DIE HEAD	NR87	SHOCK ABSORPTION URETHANE	Φ 8×10	1	
14	NV-auto DIE HEAD	NR75	OPEN LEVER B		1	
15	NV-auto DIE HEAD	NR78	AUTO-OPEN PLUNGER		1	
16	NV-auto DIE HEAD	NR83	SPRING		1	
17	NV-auto DIE HEAD	W661	HEX SOCKET SET SCREW	cone point M6× 6	1	
18	NV-auto DIE HEAD	N752	HEX SOCKET SET SCREW	cone point M5× 6	1	
19	NV-auto DIE HEAD	NR88	SETTING SPRING		1	
20	NV-auto DIE HEAD	NR89	AUTO-OPEN ECCENTRIC PIN		1	
21	NV-auto DIE HEAD	NR82	GUIDE PIN		1	
22-a	NV-auto DIE HEAD	NR57	DIE-HEAD POST (P-type)		1	
22-b	NV-auto DIE HEAD	N676	DIE-HEAD POST (R-type)		1	
23	NV-auto DIE HEAD	WI61	FLAT WASHER	6×13×1	1	
24-a	NV-auto DIE HEAD	N703	RETAINING RING (P-Type)		1	Red
24-b	NV-auto DIE HEAD	N679	RETAINING RING (R-Type)		1	Black
25-a	NV-auto DIE HEAD	NR52	CAM PLATE (P-type)		1	
25-b	NV-auto DIE HEAD	NR71	CAM PLATE (R-type)		1	
26	NV-auto DIE HEAD	W34A	HEX SOCKET FLAT HEAD MACHINE SCREW	M4×10M	8	
27	NV-auto DIE HEAD	N728C	DIE-HEAD RING		1	
29-a	NV-auto DIE HEAD	NR51	DIE-HEAD BODY (P-type)	With NR57, NR93	1	Red
29-b	NV-auto DIE HEAD	NR70	DIE-HEAD BODY (R-type)	With N676, NR93	1	Black
30	NV-auto DIE HEAD	W061	HEX SOCKET HEAD CAP SCREW	M6×12	1	
31	NV-auto DIE HEAD	WG06	SPRING WASHER	6	1	
32-a	NV-auto DIE HEAD	NR94	AUTO-OPEN LEVER B	BSPT	1	
32-b	NV-auto DIE HEAD	NR81	AUTO-OPEN LEVER B	NPT	1	
33	NV-auto DIE HEAD	NR90	AUTO-OPEN LEVER A		1	
34	NV-auto DIE HEAD	WD06	HEX NUT	M6	1	
35	NV-auto DIE HEAD	NR91	LEVER PIN		1	
36-a	NV-auto DIE HEAD	292814	Complete Die Head P-type	BSPT	1	see Product List
36-b	NV-auto DIE HEAD	292816	Complete Die Head P-type	NPT	1	see Product List
36-c	NV-auto DIE HEAD	292804	Complete Die Head R-type	BSPT	1	see Product List
36-d	NV-auto DIE HEAD	292802	Complete Die Head R-type	NPT	1	see Product List