

Manual Open Die Head 50A (1/4 - 2")

295649 : BSPT 1/2 - 2"

290020 : BSPT 1 - 2"

295652 : BSPT / BSPP / NPT 1/2 - 2"

295643 : BSPT / NPT / BSW 1/2 - 2"

29002A : METRIC M8 - 52

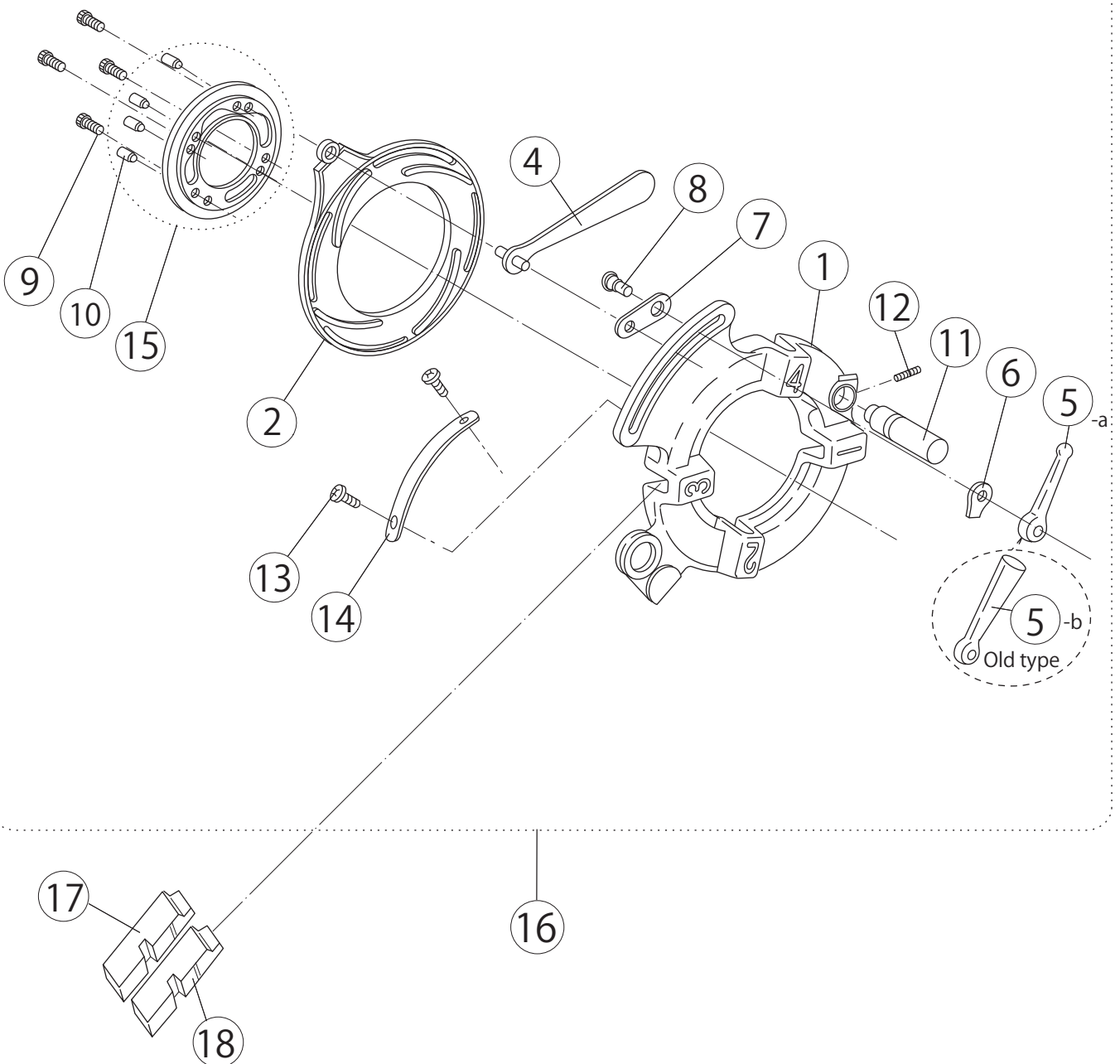
295655 : NPT 1/4 - 2"

295656 : NPSM 1/2 - 2"

290023 : PF16 - 54 / C15 - 51

29003A : PF20 - 32 P1.5

29001B : UNC 5/16 - 2"



Manual Open Die Head 50A (1/4-2")

2017/5/8

Page No.	Exp. No.	Parts No.	Part Name	Spec.	Q'ty	Remarks
1	1	2322	Die Head Body	Manual1/2-2	1	
1	2	2341	Cam Plate		1	
1	4	2361	Eccentric Handle		1	
1	5-a	2377	Lever Nut	New type	1	
4	5-b	9209	Lever Nut WH	*discontinued / Old type	4	for 29001B/29002A
1	6	2381	Eccentric Washer		1	
1	7	2371	Eccentric Link		1	
1	8	2386	Eccentric Screw		1	
1	9	W062	Hex Socket Head Cap Screw	M6x16	4	
1	10	G860	Die Notch		4	
1	11	7009	Die Head Post		1	
1	12	W661	Hex-Socket Set Screw	M6x6 cone point	1	
1	13	W541	Truss Head machine Screw	M4x5	2	
1	14	2904	Size Plate	BSPT1/2-2"	1	for 295649
1	14	L292	Size Plate	BSPT1-2"	1	for 290020
1	14	G892	Size Plate	BSPT/BSPP/NPT1/2-2"	1	for 295652
1	14	L291	Size Plate	BSPT/NPT1/2-2", BSW1-1.1/4"	1	for 295643, Dies 1-1.1/2, 1.1/2-2"
1	14	N740	Size Plate	NPT1/4-2"	1	for 295655
1	14	L182	Size Plate	NPSM1/2-2"	1	for 295656
1	14	G848	Size Plate	PF16-54/C15-51	1	for 290023
1	14	L281	Size Plate	PF 20-32 P1,5	1	for 29003A
1	14	9204	Size Plate	UNC5/16-2"	1	for 29001B
1	14	2903	Size Plate	MetricM8-52	1	for 29002A
1	15	N703	Retaining Ring with Die Notches		1	incl. No. 10
1	16	-	Complete Manual Die Head 50A	various	1	see Product List for each DH
1	17	-	Dies	various	1set	see Product List for each Dies
1	18	-	Dies	various	1set	see Product List for each Dies