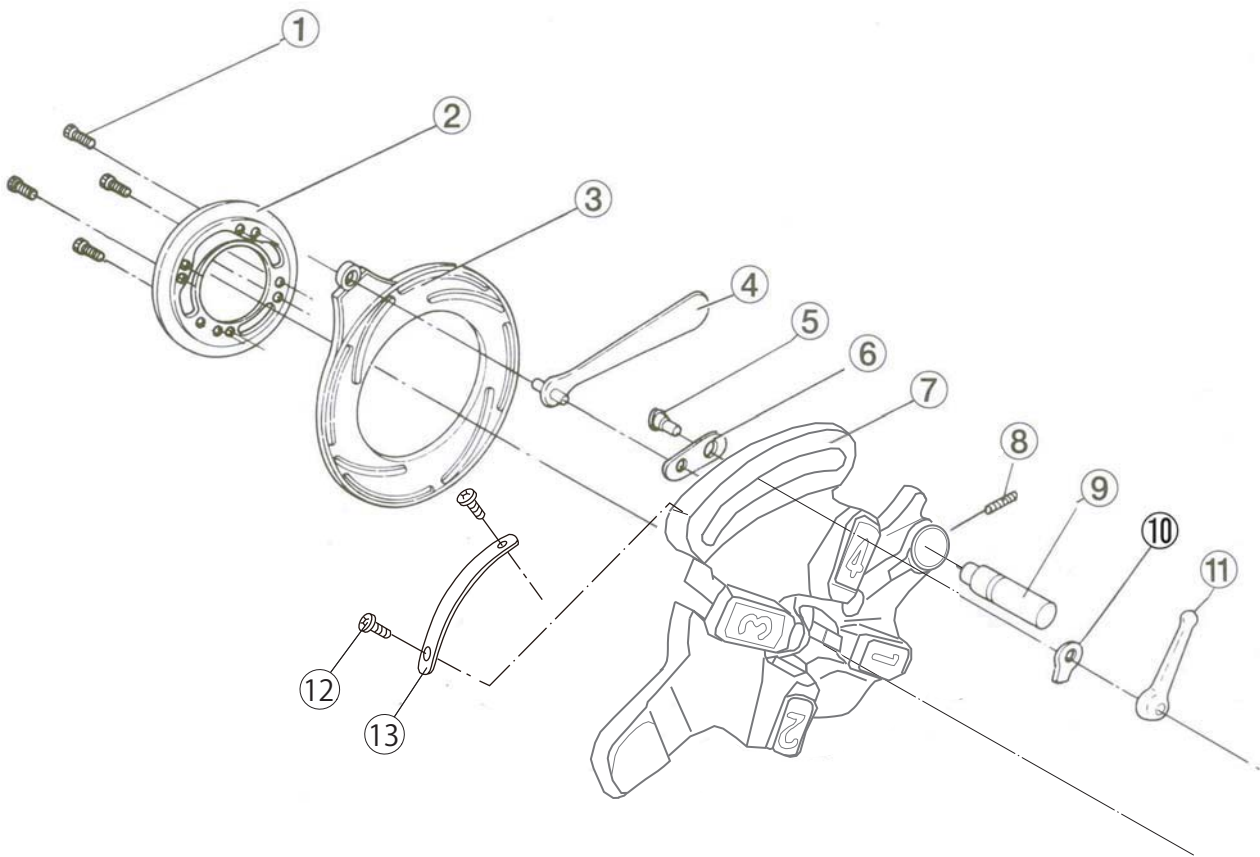


Manual Open Die Head 1/4 - 3/8

290000 :
1/4-3/8 NPT/BSPT
5/16-7/8 BSW



MODH10A_exp161011

Manual Die Head 8A-10A

Line No.	Page No.	Exp. No.	Page Title	Part No.	Part Name	Spec.	Set
1	1	1	Manual Die Head 8A-10A	W062	SOCKET HE AD CAP SCREW	M6 x 16	4
2	1	1	Manual Die Head 8A-10A	B235	UNIVERSAL RETAINING RING		1
3	1	1	Manual Die Head 8A-10A	B234	CAM PLATE		1
4	1	1	Manual Die Head 8A-10A	B236	ECCENTRIC HANDLE		1
5	1	1	Manual Die Head 8A-10A	2386	ECCENTRIC SCREW		1
6	1	1	Manual Die Head 8A-10A	2371	ECCENTRIC LINK		1
7	1	1	Manual Die Head 8A-10A	B231	UNIVERSAL DIE HEAD BODY		1
8	1	1	Manual Die Head 8A-10A	W661	HEX SOCKET HEAD SET SCREW	M6 x 6	1
9	1	1	Manual Die Head 8A-10A	B237	DIE HEAD POST		1
10	1	1	Manual Die Head 8A-10A	2381	ECCENTR IC WASHER		1
11	1	1	Manual Die Head 8A-10A	2377	LEVER NUT		1
12	1	1	Manual Die Head 8A-10A	W541	TRUSS SCREW	M4 x 5	2
13	1	1	Manual Die Head 8A-10A	B238	SIZE PLATE		1