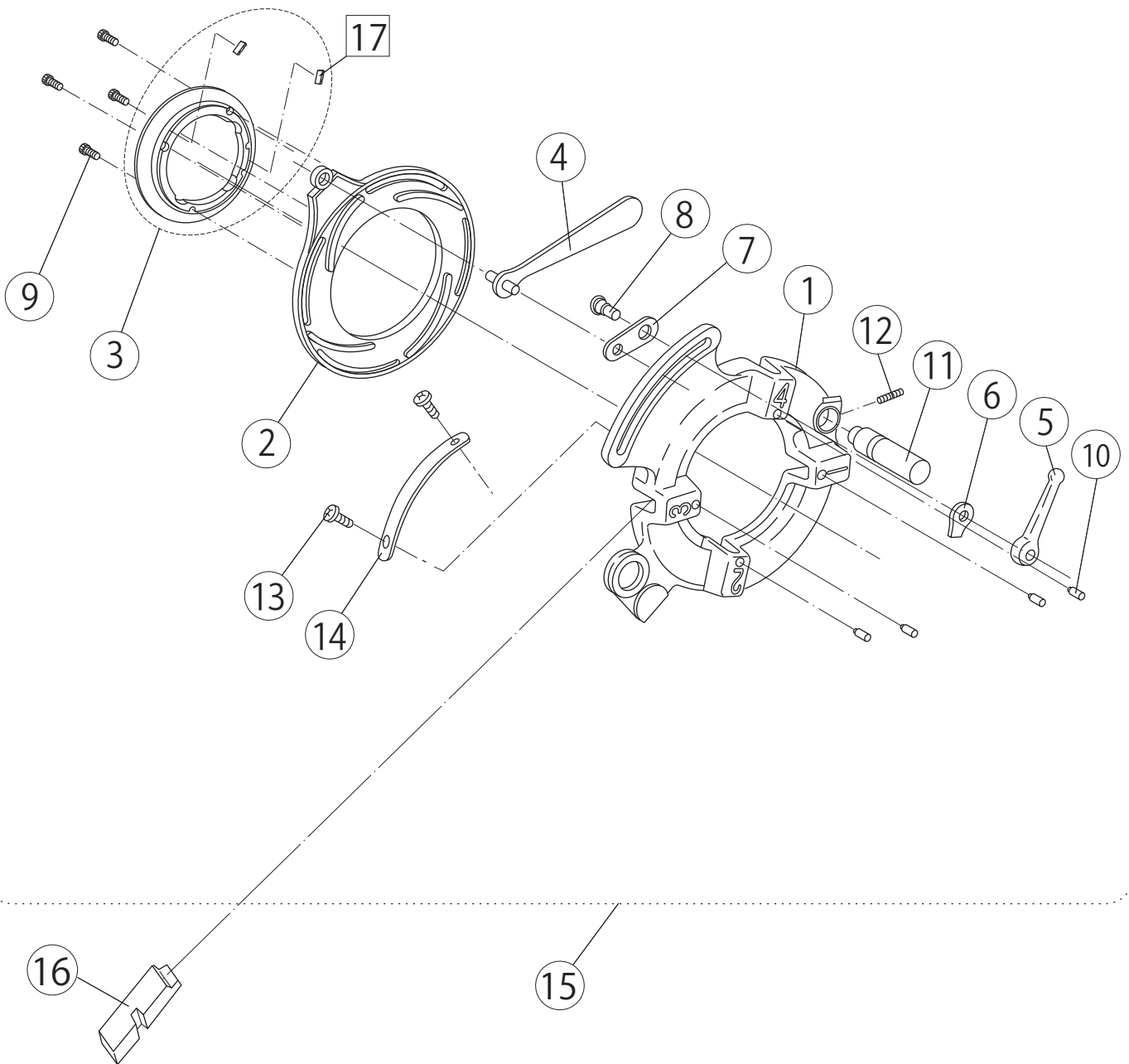


Manual Open Die Head 80A (2 1/2 - 3")

290030 : BSPT 2 1/2 - 3"

295660 : BSPT / BSPP / NPT 2 1/2 - 3"

290033 : PF70 - 82 / C63 - 75



Manual Open Die Head 80A

2014/12/26

Page No.	Exp. No.	Part No.	Part Name	Spec.	Set	Remarks	Reference
1	1	3324	Die head body	2 1/2-3"	1		N80A 80ADX
1	2	3344	Cam plate	2 1/2-3"	1		N80A 80ADX
1	3	3354	Retaining ring	2 1/2-3" incl. 3355	1	incl. 3355*2pcs	N80A 80ADX
1	4	2361	Eccentric handle		1		N80A 80ADX
1	5	2377	Lever nut		1		N80A 80ADX
1	6	2381	Eccentric Washer		1		N80A 80ADX
1	7	2371	Eccentric link		1		N80A 80ADX
1	8	2386	Eccentric screw		1		N80A 80ADX
1	9	W062	Socket head cap screw	M6X16	1		N80A 80ADX
1	10	G860	Dies knoch		4		N80A 80ADX
1	11	7010	Die head post No. 3		1		N80A 80ADX
1	12	W661	Hex-socket set screw	M6X6 cone point	1		N80A 80ADX
1	13	W541	Truss Head Machine Screw	M4x5	2		
1	14	L293	Size Plate	BSPT 2.1/2-3"	1	for 290030	
1	14	L181	Size Plate	BSPT, BSPP, NPT 2.1/2-3"	1	for 295660	
1	14	3330	Size Plate	PF70-82, C63-75	1	for 290033	
1	15	290030	Complete die head	various	1 set	see Product List	N80A 80ADX
1	16	161950	Dies	various	1 set	see Product List	N80A 80ADX
1	17	3355	Oil Stopper		2	not for sale	