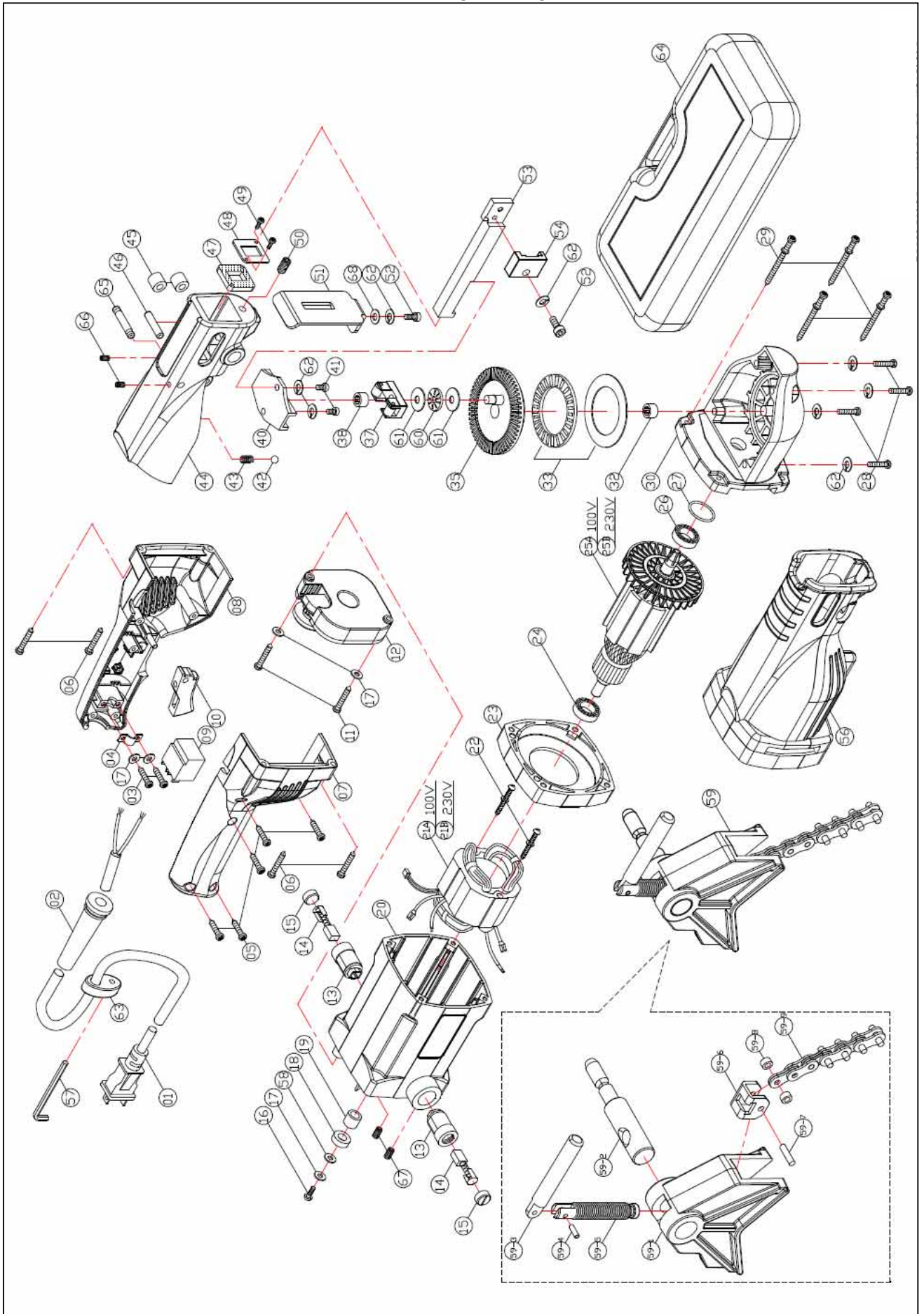


380150 HYPER SAW XS150S (100V)

380160 HYPER SAW XS150S (220V)



MODEL : XS 150S RECIPROCATING SAW
380150 HYPER SAW XS150S (100V)
380160 HYPER SAW XS150S (220V)

2018.12.28

No.	Parts No.	Parts Name		Q'TY	Remarks
1-a	HPX01	Cabtyre cord 100V	1.25 x 2C x 2.5M VCT	1	
1-b	HPX91	Cabtyre cord 220V	1.25 x 2C x 2.5M VCT	1	
2	HPX02	Cord guard		1	
3	HPX03	Tapping screw	M4 x 16	2	
4	HPX04	Cord crip		1	
5	HPX05	Tapping screw	M4 x 20	5	
6	HPX06	Tapping screw	M5 x 30	4	
7	HPX07	Handle (R)		1	
8	HPX08	Handle (L)		1	
9	HPX09	Switch 100/220V		1	
10	HPX10	Trigger		1	
11	HPX11	Tapping screw	M4 x 30	2	
12-a	HPX12	Controller unit 100V		1 set	
12-b	HPX92	Controller unit 220V		1 set	
13	HPX13	Carbon holder	7 x 11	2	
14	HPX14	Carbon brush	7 x 11 x 17L / 2pcs/1 set	1 set	
15	HPX15	Carbon cap		2	
16	W242	Pan machine screw	M4 x 10	1	
17	WO42	Flat washer	M4	5	
18	HPX18	Picup magnet	φ8 x φ15 x 5	1	
19	HPX19	Spacer	φ8 x φ12 x 10.5	1	
20	HPX20	Motor housing		1	
21-a	HPX21	Stator (100V)		1	
21-b	HPX93	Stator (220V)		1	
22	HPX22	Tapping screw with spring washer	M5 x 60	2	
23	HPX23	Fun shroud		1	
24	S373	Bearing	NMB 608 zz	1	
25-a	HPX25	Armature 100V	6T	1	
25-b	HPX94	Armature 220V	6T	1	
26	HPX26	Bearing	6001DU	1	
27	HPX27	O-ring	φ28 x 2	1	
28	HPX28	Hex socket head cap screw	M5 x 30	4	
29	HPX29	Tapping screw	M5 x 40	4	
30	HPX30	Gear case		1	
32	HPX32	Needle bearing	TLA1015	1	
33	HPX33	Thrust washer	φ40 x φ60 x 1	1	
33	HPX34	Thrust bearing	40603	1	
35	HPX35	Bevel gear	57T	1	
37	HPX37	Reciprocating guide		1	
38	HPX38	Needle bearing	TAF71410	1	
40	HPX40	Coupling track		1	
41	HPX41	Hex socket head cap screw	M5 x 12	2	
42	WQ06	Steel ball	φ6	1	
43	HPX43	Spring	φ0.8 x φ4.1 x φ5.7 x 6T	1	
44	HPX44	Drive housing		1	
45	HPX45	Drive guide roller	φ6 x φ12 x 10	2	
46	HPX46	Roller shaft (S)	φ6 x 28	1	
47	HPX47	Felt oiler		1	
48	HPX48	Frame		1	
49	W236	Pan machine screw	M3 x 10	2	
50	HPX50	Ball notch pin	M10 x P1.5 x φ6	1	
51	HPX51	Stopper plate		1	
52	W051	Hex socket head cap screw	M5 x 16	2	
53	HPX53	Reciprocating rod		1	
54	-	Saw holder		1	See the Product list
56	HPX56	Front cover (rubber cover)		1	
57	ZB24	Hexagonal wrench key	M4	1	
58	HPX58	Plastic washer	φ4 x φ11 x 1	1	
59	HPX70	Chain vice unit		1 set	
59-1	HPX71	Vice body casting		1	
59-2	HPX72	Mounting shaft	M14 x P2.0L	1	
59-3	HPX73	Swivel lever		1	
59-4	WL41	Spring pin	φ4 x 10	1	
59-5	HPX75	Vice feed screw	M14 x P2.0L	1	
59-6	HPX76	Chain holder bracket		1	
59-7	HPX89	Spring pin	φ5 x 20	1	
59-8	HPX78	Spacer	φ5.1 x φ9 x 4.8	2	
59-9	HPX79	Chain		1	
60	HPX60	Thrust bearing	0816	1	
61	HPX61	Bearing washer	φ8 x φ16 x 1	2	
62	WG05	Spring washer	M5	8	
63	HPX63	Hex key holder		1	
64	HPX81	Carrying case		1	
65	HPX65	Roller shaft (L)	φ6 x 33	1	
66	W742	Hex socket set screw	Cup point M4 x 6	2	
67	W752	Hex socket set screw	Cup point M5 x 6	2	
68	WI52	Flat washer	φ5 x φ12 x 0.8	1	Original: φ5 x φ12 x 1(BL)