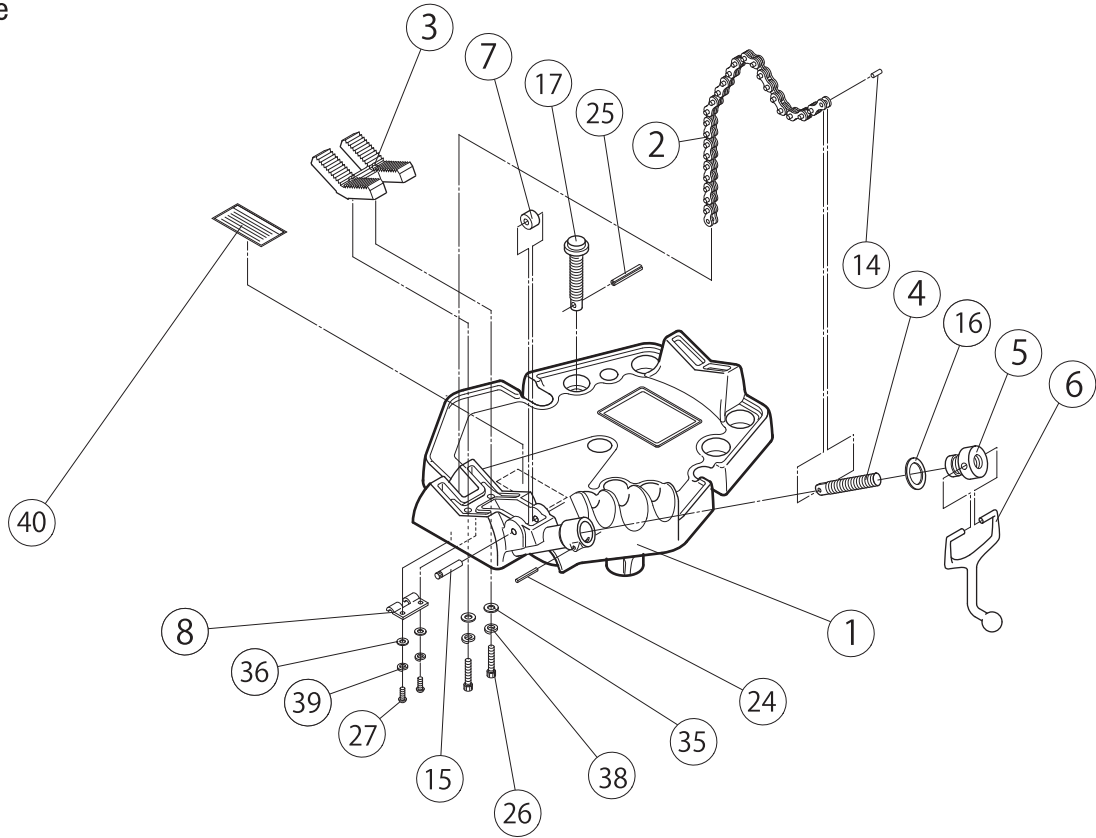
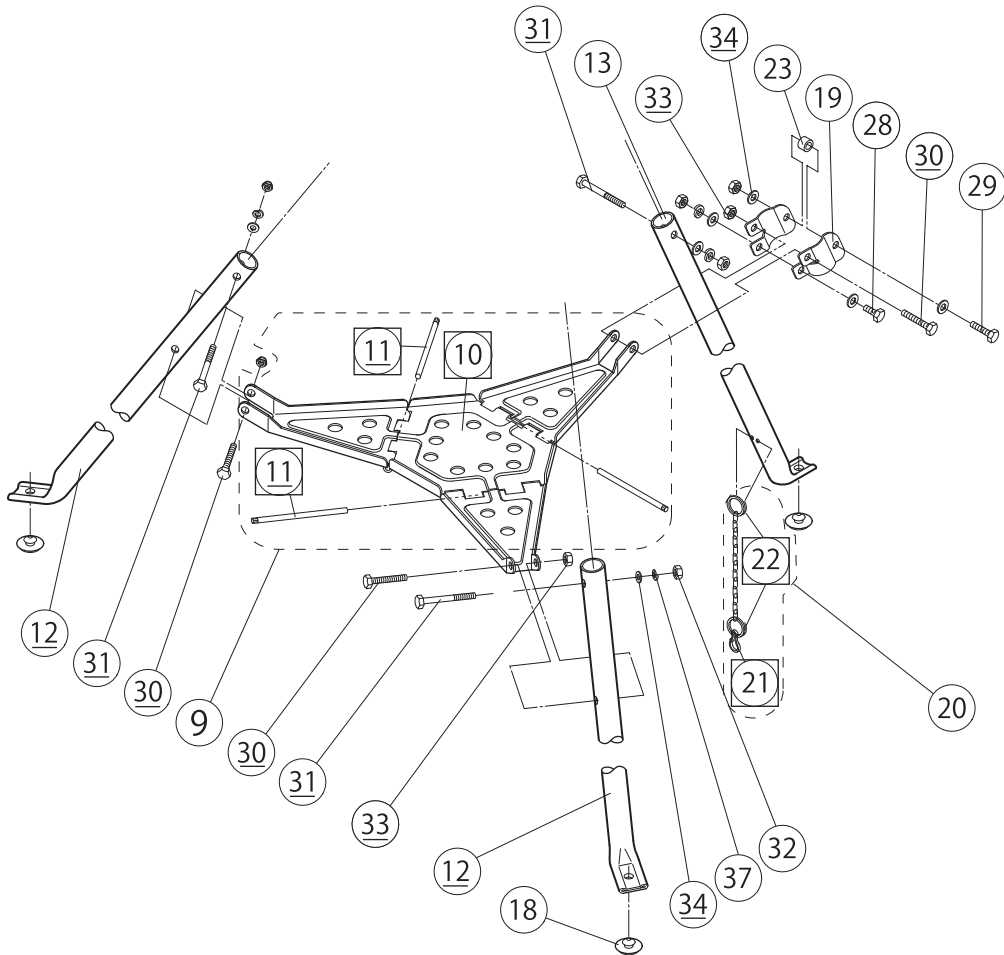


# CVX6

## 1. Base



## 2. Legs



No.	Part No.	Part Name		Q'ty	Remarks
1	VT40	Base		1	
2	VT02	Chain		1	
3	VT03	Jaw		1	
4	VT04	Chain screw		1	
5	VT05	Swivel nut		1	
6	VT06	Handle		1	
7	VT07	Roller		1	
8	VT08	Wear plate		1	
9	VT09S	Tool tray set	Tool tray (A) 3 pcs	1 set	*Old no. 9(VT09)
			Tool tray (S) 1 pc		*Old no. 10(VT10)
			Tray pin 3 pcs		*Old no. 11(VT11)
12	VT12	Leg (A) Long		2	*Short : VT41
13	VT13	Leg (B) Long		1	*Short : VT42
14	VT14	Chain pin		1	
15	VT15	Roller pin		1	
16	VT19	Friction ring		1	
17	VT25	Ceiling brace		1	
18	VT27	Grommet		3	
19	VT28	Tray support		1	
20	VT29S	Leg chain set	Leg chain 1 pc	1 set	*Old no. 20(VT29)
			Leg chain snap 1 pc		*Old no. 21(VT30)
			Leg chain ring 2 pc		*Old no. 22(VT31)
23	VT16	Tray support collar		1	
24	WL56	Roll pin (5 x 30)		1	
25	WL89	Roll pin (8 x 55)		1	
26	W085	Socket head cap screw (M8 x 40)		2	
27	WA27	Socket button head cap screw (M6 x 15)		2	
28	W100	Hexagon head cap screw (M10 x 20)		1	
29	W101	Hexagon head cap screw (M10 x 30)		1	
30	W105	Hexagon head cap screw (M10 x 50)		3	
31	W108	Hexagon head cap screw (M10 x 80)		3	
32	WC10	Nut (M10)		5	
33	WE11	Lock nut (M10)		3	
34	WI05	Washer (M10)		7	
35	WI81	Washer (M8)		2	
36	WI62	Washer (M6)		2	
37	WG10	Spring washer (M10)		4	
38	WG08	Spring washer (M8)		2	
39	WG06	Spring washer (M6)		2	
40	9A62	Caution label		1	
41					
42					
43					
44					
45					
46					
47					
48					
49					
50					
51					
52					
53					
54					
55					
56					
57					
58					
59					
60					
61					
62					
63					
64					
65					