



Be sure to read the operation manual for the MANTIS 270A Pipe Support thoroughly before using the machine.
Keep the manual where the operator can refer to it whenever necessary.

Precautions when using the pipe support

⚠ WARNING

1. Support the material to be cut with the pipe support.

If the pipe to be cut is particularly long and/or heavy, place a pipe support on both sides of the band saw. If an unsupported workpiece were to suddenly fall, it could lead to accident or injury.

2. Place the workpiece on the support gently.

Place the pipe on the rollers gently. If you drop the pipe onto the rollers, it could not only damage the support but lead to accident or injury.

3. Be careful not to let the workpiece fall off the support.

Use the adjusters to make sure the rollers are horizontal. If they are tilted, the material you are cutting could fall off, resulting in accident or injury.

4. Use both hands to carry the support

Always use both hands to carry the support and be careful not to drop it or it could cause an accident or injury.

Code No. /Model/Height

Code No.	4751Z9
Model	Pipe support
Height	115 - 225mm

Main parts

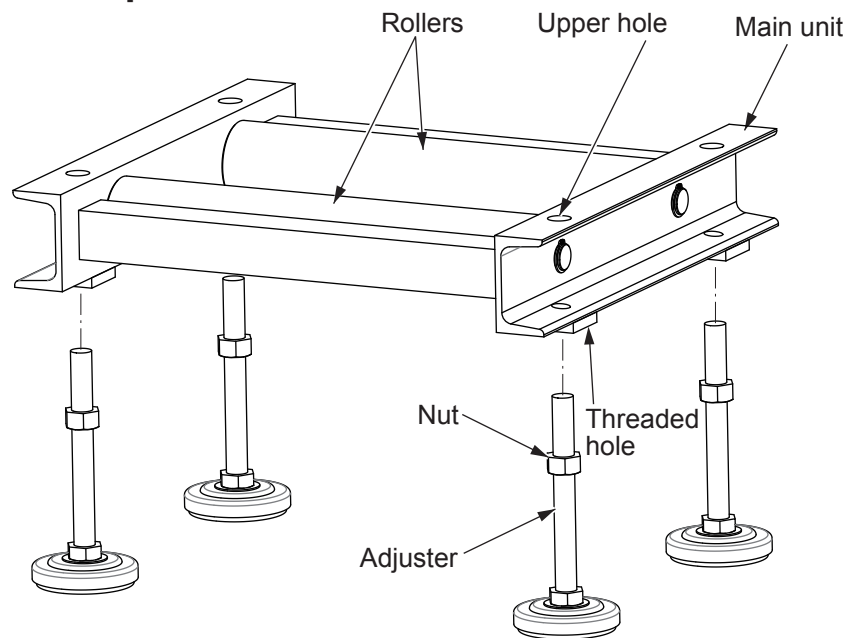


Fig. 1

Package contents

Main unit	1
Adjusters (with nuts)	4

Assembly

Screw the four adjusters into the threaded holes on the underside the main unit.

Once the adjusters are screwed in at the desired height for the rollers, tighten the nuts. (Fig. 1)

REX INDUSTRIES CO., LTD.

Overseas Sales Dept. & Factory :

1-9-3, Hishiyahigashi, Higashi Osaka 578-0948, Japan

Tel.: +81 - (0)72 - 961 - 9820 Fax.: +81 - (0)72 - 961 - 9878

URL <http://www.rexind.co.jp>